



HEAT PUMP POOL HEATER BOMBA DE CALOR PARA PISCINAS

OWNER'S MANUAL

MANUAL DEL USUARIO



PRO400, PRO600, and PRO1000

101 Production Drive, Harrison, OH 45030 877.278.2797 fax 877.289.2963
cs@aquapro systems.com www.aquapro systems.com

Please read and save these instructions. Read carefully before attempting to assemble, install, operate or maintain the product described. Protect yourself and others by observing all safety information. Failure to comply with instructions could result in personal injury and/or property damage! Retain instructions for future reference.

Contents

- Important Safety Instructions2
- Pool Chemistry and Warranty2
- Installation Procedures3
 - Unit Inspection3
 - Unit Location3
 - Plumbing3
- Basic Heat Pump Operation4
 - Electrical Connections4
- Manual Temperature Controls5
 - Description5
 - Indicator Lights5
 - Water Temperature Set Point5
- Application Guidelines5
 - Maintenance5
 - Condensation6
 - Pool Blankets6
 - Seasonal Shutdowns6
 - Pool Openings6
 - Weather Conditions6
- Troubleshooting Guide6
- Warranty7

Important Safety Instructions

READ AND FOLLOW ALL INSTRUCTIONS.

Safety Guidelines

This manual contains information that is very important to know and understand. This information is provided for SAFETY and to PREVENT EQUIPMENT PROBLEMS. To help recognize this information, observe the following symbols.

⚠ WARNING *Warning indicates a potentially hazardous situation which, if not avoided, could result in death or serious injury.*

⚠ CAUTION *Caution indicates a potentially hazardous situation which, if not avoided, may result in minor or moderate injury.*

⚠ CAUTION *Notice indicates important information, that if not followed, may cause damage to equipment.*

⚠ WARNING

- The water in a pool or spa should never exceed 104°F (40°C). A water temperature in excess of 104°F is considered unsafe for all persons. Lower water temperatures are recommended for extended use (exceeding 10-15 minutes) and young children.
- Excessive water temperatures have a high potential for causing fetal damage during the early months of pregnancy. Pregnant or possibly pregnant women should limit pool or spa water temperatures to 100°F (38°C).
- Alcohol, drugs, or medication should not be used before or during pool or spa use since their use may lead to unconsciousness with the possibility of drowning.

⚠ CAUTION

- Obese persons and persons with a medical history of heart disease, low or high blood pressure, circulatory system problems, or diabetes should consult a physician before using a pool or spa.

- Persons using medication should consult a physician before using a pool or spa since some medication may induce drowsiness while other medication may affect heart rate, blood pressure, and circulation.
- Prolonged immersion in hot water may induce hyperthermia. Hyperthermia occurs when the internal temperature of the body reaches a level several degrees above the normal body temperature of 98.6°F. The symptoms of hyperthermia include dizziness, fainting, drowsiness, lethargy, and an increase in the internal temperature of the body. The effects of hyperthermia include: unawareness of impending hazard; failure to perceive heat; failure to recognize the need to exit pool or spa; physical inability to exit pool or spa; fetal damage in pregnant women; and unconsciousness resulting in a danger of drowning.
- Because the tolerance of water temperature-regulating devices may vary as much as ±5°F (±3°C), you should measure the water temperature at several locations using an accurate thermometer before entering a pool or spa.

SAVE THESE INSTRUCTIONS.

Pool Chemistry and Warranty (PRO400 & PRO600)

Maintaining pool chemistry at the correct levels is critical for health and pool/spa equipment reasons. Failure to maintain industry recognized standards for proper pool chemistry will void your warranty on the PRO400 & PRO600. This chart contains the recommended levels for a typical pool. If you have questions about maintaining your pool and its chemistry, consult your local APSP/NSPI pool professional or call 877-278-2797 to talk to an AquaPro representative.

INDUSTRY STANDARD	MINIMUM	IDEAL WATER CHEMISTRY	MAXIMUM	POOL/SPA
Free Chlorine, ppm	1.0	2.0-4.0	5.0	POOL
	2.0	3.0-5.0	10.0	SPA
Total Bromine, ppm	2.0	4.0-6.0	10.0	POOL/SPA
pH	7.2	7.4-7.6	7.8	POOL/SPA
Total Alkalinity, ppm	60	80-100*	180	POOL
		100-120**		SPA
Calcium Hardness, ppm as CaCO ₃	150	200-400	1000	POOL
	100	150-250	800	SPA
Cyanuric Acid, ppm	0	30-50	***	POOL/SPA

* For Calcium Hypochlorite, lithium hypochlorite, or sodium hypochlorite
 ** For sodium dichlor, trichlor, chlorite gas, BCDMH
 *** Dictated by state or local codes. Typically 100 ppm.

REMINDER: Keep your dated proof of purchase for warranty purposes! Attach it to this manual or file it for safekeeping.

Installation Procedures

Unit Inspection

Inspect your unit very carefully before installing. Make sure there has been no damage to the evaporator fins or there are no punctures or oil-soaked areas on the box. This would indicate damage to the refrigeration system and should be rejected immediately.

THE UNIT MUST BE TRANSPORTED IN THE UPRIGHT POSITION AT ALL TIMES AND MUST NOT BE DROPPED OR TAILGATED. DAMAGE TO THE UNIT DURING TRANSPORTATION IS NOT THE RESPONSIBILITY OF THE MANUFACTURER.

Unit Location

Once the unit has been inspected and cleared of any transportation damage, it is now time to locate the pool heater. It is very important to understand the location of the unit for the best performance of operation. See Figure 1 for location recommendations.

A minimum of 18" of clearance between the evaporator coils and shrubs, fences, walls, etc. must be maintained for adequate air intake. A minimum of 5' of vertical clearance between the top of the unit and any roof overhang or other obstructions must be maintained in order to prevent the re-circulation of cold air back into the evaporator coils. This is

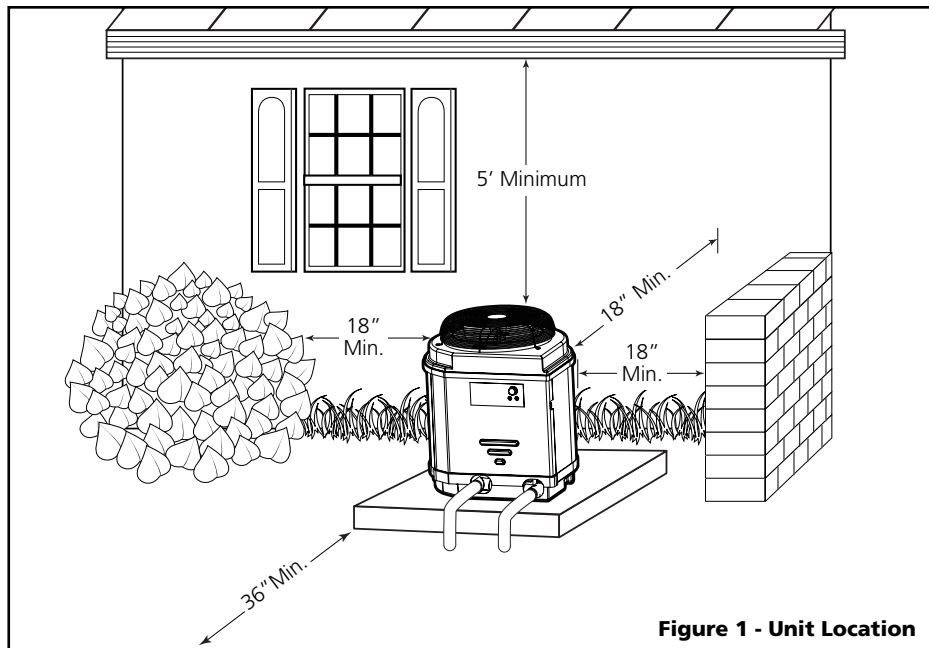


Figure 1 - Unit Location

to maintain the efficiency of the unit. A minimum of 36" of clearance between the front of the unit (access panel area) and any obstruction must be maintained to allow maintenance on the unit when necessary.

The unit should be located on a solid level surface, a minimum of 36" x 36" for proper drainage.

Make sure any sprinkler heads are not directly spraying water on the unit. While heat pumps are made for an outdoor environment, they are not designed to have sprinkler water constantly spraying them. **NOTE: This type of constant watering directly on the unit can void your warranty.** Condensation drain holes are provided

in all units for adequate removal of condensation and rainwater. **ALL UNITS WILL HAVE CONDENSATION. THIS SHOULD NOT BE MISTAKEN FOR A LEAK IN THE UNIT.**

Plumbing

CAUTION

Where freezing weather is encountered, the detachable weather connection/union (provided on PRO1000) must be installed immediately adjacent to the heater to facilitate servicing and draining of the heat exchanger. **Draining is necessary to prevent damage to the condenser shell and coil due to the expansion of freezing water.**

The minimum water circulation capacity flowing through the pool heater is 25 gallons per minute and the maximum capacity is 80 gallons per minute.

Do not install a water shutoff valve in the piping from the outlet of the pool heater to the pool or spa. However, a check valve that does not include a shut-off feature may be installed for convenience during servicing.

A check valve or Hartford Loop is recommended between the unit and a chlorinator. The chlorinator must be downstream of the heat pump. Failure to do so may void the warranty.

If you have an in-floor cleaning system, please take note of any special plumbing requirements to operate all units effectively.

Figure 2 shows the recommended installation layout.

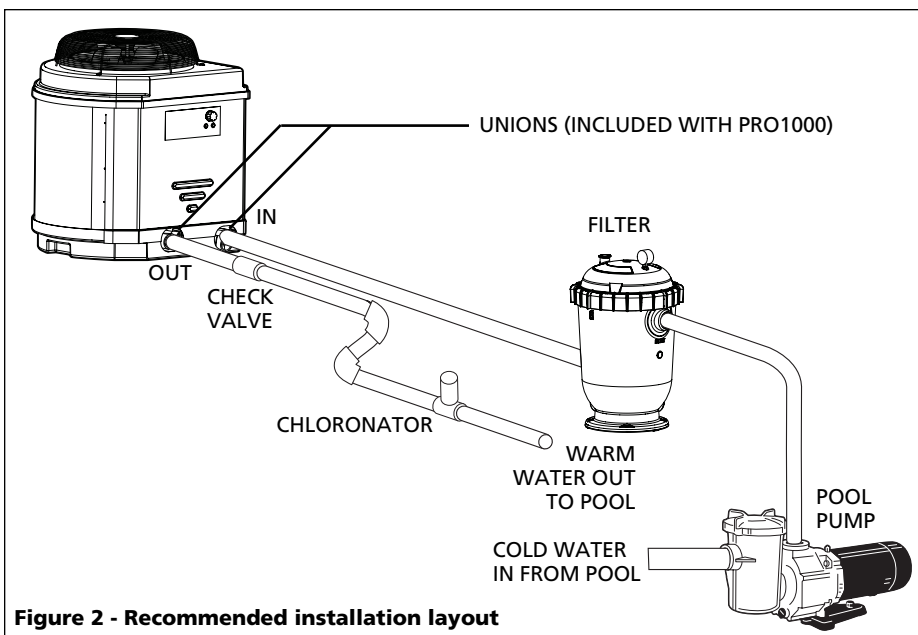


Figure 2 - Recommended installation layout

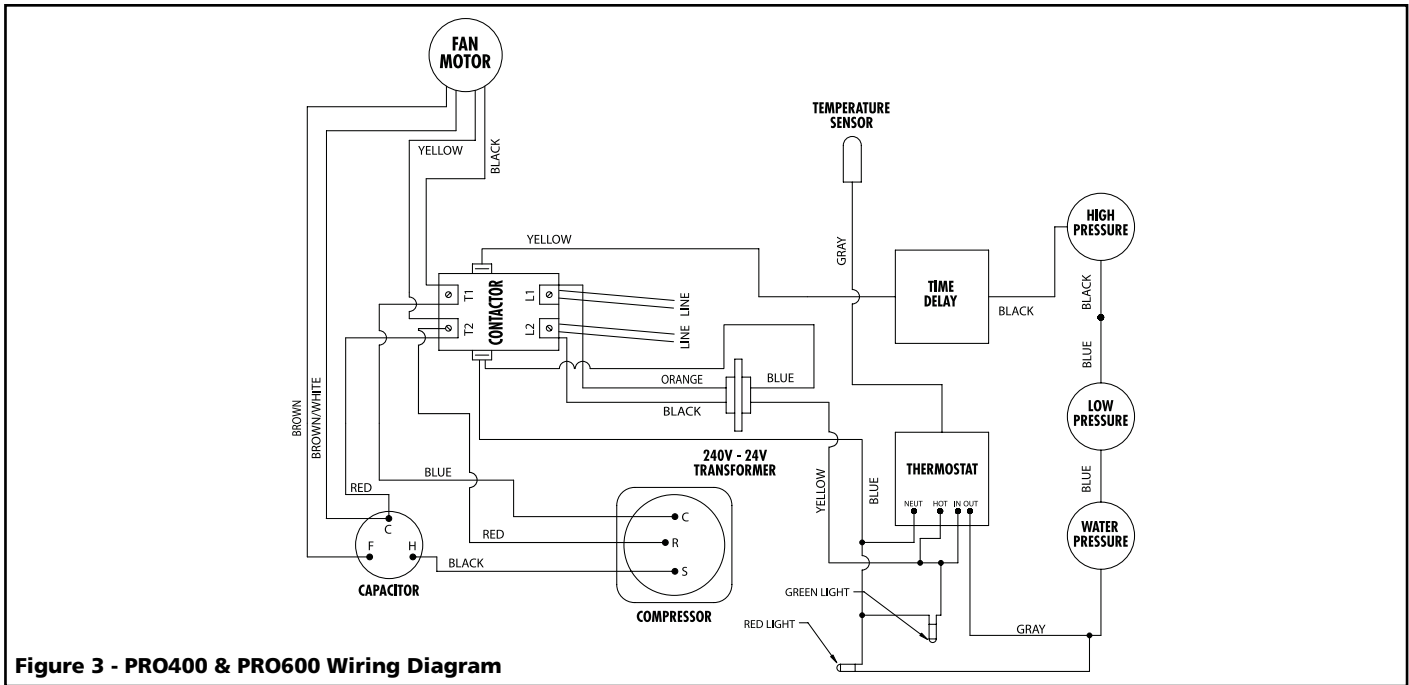


Figure 3 - PRO400 & PRO600 Wiring Diagram

Basic Heat Pump Operation

Electrical Connections

⚠WARNING All wiring and electrical connections must be performed by a qualified electrician. Installations must be in accordance with local and national codes.

⚠CAUTION Overheating, short-circuiting and fire damage will result from inadequate wiring.

All units are equipped with an electrical wiring schematic inside the electrical panel. If this is missing, please contact the factory at 1-877-278-2797 to obtain one.

All units are to be wired for 230 VAC, 1 phase. Please see following chart for correct amperage:

HEAT PUMP	BREAKER OR FUSE
PRO400	20-amp
PRO600	30-amp
PRO1000	50-amp

Pool Heater is to be installed in accordance with Article 680 of the National Electrical Code (NEC), NFPA 70, and within the requirements of all local codes having jurisdiction.

See Figure 3 for wiring schematic of PRO400 & PRO600. See Figure 6 for wiring schematic of PRO1000.

Connecting to Remote System (PRO1000 only)

The PRO1000 Pool Heater is compatible with all known remote systems in the pool industry. If you have or add a remote system to your pool, please review these instructions for wiring and setting the thermostats on your pool heat pump. You will need to know if your remote system is a 2 wire or a 3 wire system.

For 2 wire remotes

1. Turn the "pool" and "spa" thermostat up to their highest settings
2. Switch the toggle to "off" setting
3. See figure 4 for wiring diagram of 2 wire remote system
4. Connect remote system's 2 wires to the 4 & 5 positions on the terminal block.

For 3 wire remotes

1. Turn the "pool" thermostat to the desired pool temperature.
2. Turn the "spa" thermostat to the desired spa temperature
3. Switch the toggle to the "off" setting.
4. See figure 5 for wiring diagram of 3 wire remote system
5. Connect the low (or pool) wire to position 4 on the terminal block.

6. Connect the high (or spa) wires to position 6 on the terminal block.
7. Connect the common wire to position 5 on the terminal block.

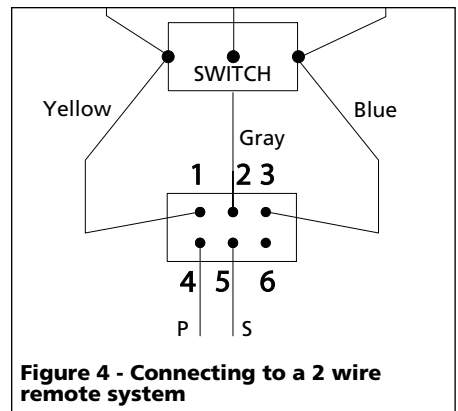


Figure 4 - Connecting to a 2 wire remote system

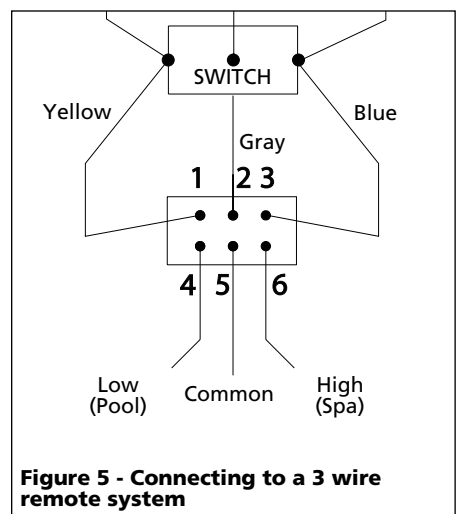


Figure 5 - Connecting to a 3 wire remote system

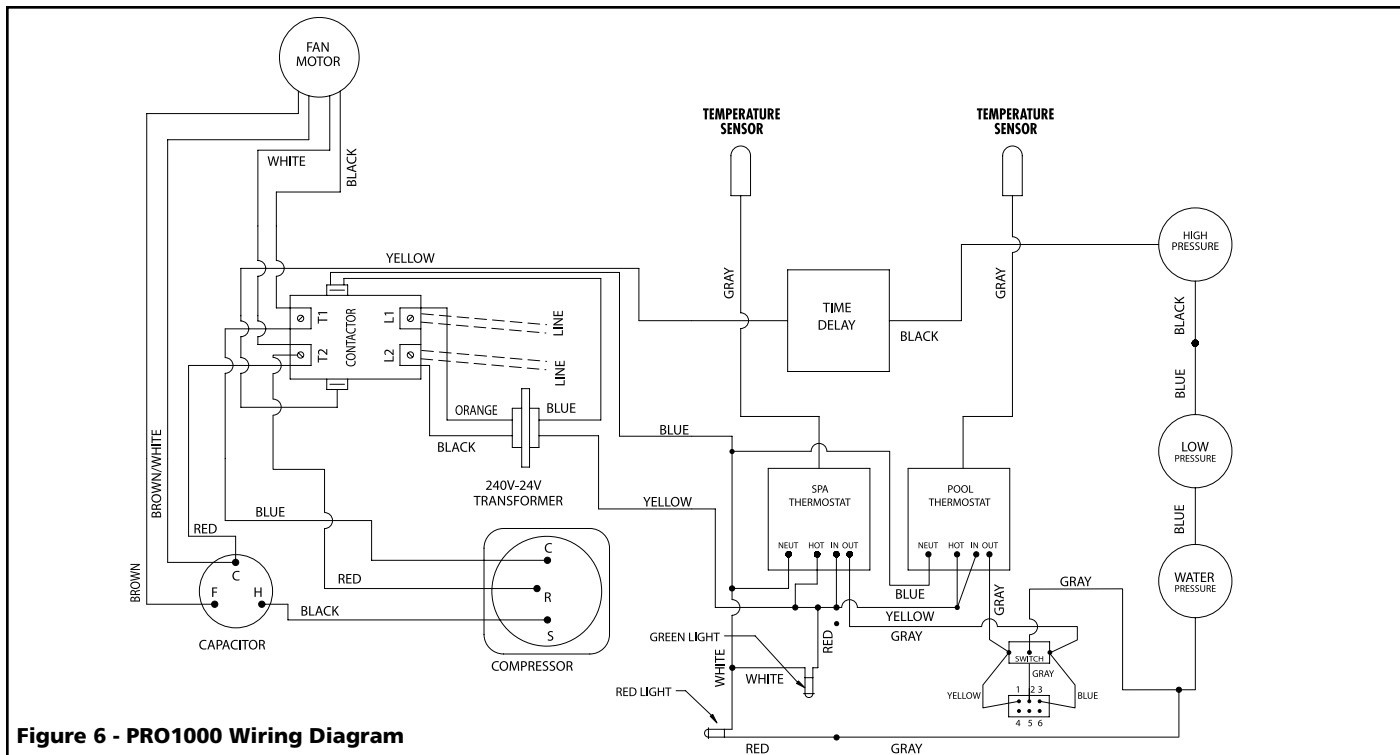


Figure 6 - PRO1000 Wiring Diagram

Manual Temperature Controls

Description - PRO400 & PRO600

- The manual Temperature Control is designed to regulate pool and spa water temperature.
- There are two indicator lights on the control panel to display the current status of the unit.
- The thermostat knob may be adjusted to maintain the desired water temperature.

Description - PRO1000

- With the PRO1000, you have a pool and a spa thermostat and a 3-position toggle switch.
- Use the toggle switch to select the pool, spa and off settings.
- The thermostat knobs may be adjusted to maintain the desired water temperature.
- See "Connecting to a Remote System" for toggle position and thermostat position when this unit is hooked up to a remote system.

Indicator Lights

- There are two indicator lights on the front panel that display unit status. The GREEN light indicates

that power to the unit is on. The RED light indicates that the unit is in heating mode.

- The RED light may become illuminated prior to heater start up. The RED light will become lit when the thermostat knob is set at or above the water temperature.
- The unit has a **built in time delay**. Every time the unit turns off there is a five-minute time delay until the unit may be restarted. The HEAT light may turn on during this delay cycle. Do not rotate the thermostat knob during this time delay. Rotating the knob during this cycle may reset the time delay, causing the unit to wait an additional five minutes prior to startup.

Water Temperature Set Point

- Temperature set point range is 45°F to 107°F. Rotating the thermostat knob clockwise will increase the temperature set point, while rotating counterclockwise will decrease the temperature set point.
- A floating thermometer may be placed in the pool or spa to monitor water temperature.
- To initially calibrate the thermostat to the desired set point, turn the

thermostat knob fully clockwise. The unit will turn on and begin heating after a possible five minute time delay. Allow the unit to run until pool or spa water reaches the desired temperature. Slowly turn thermostat knob counterclockwise until the unit turns off. The unit will now maintain this water temperature, providing the circulation pump is running.

Application Guidelines

Maintenance

All heat pumps are designed for outdoor use. However, some maintenance is required to maintain the full life of the heater and is necessary to maintain your warranty. Annual maintenance should be scheduled to make sure blowing sand or falling debris is removed from the inside of the heater. Rinsing the coil down monthly with low water pressure will help keep the base of the unit clear of debris. Do not use a high pressure washer. This can cause damage to your evaporator coils and will void your warranty. It is recommended that a licensed air conditioning specialist perform the annual planned maintenance on your heater.

Application Guidelines (Continued)

Maintenance (Continued)

CAUTION *If you decide to rinse down the evaporator coils yourself, disconnect all power to the entire equipment pad before you rinse it. This must be done in order to prevent possible electrical shock.*

Condensation

All heat pump pool heaters will have condensation. It is typical to have as much as 6-8 gallons of condensation or water per hour, during a warm, humid day. Do not mistake this for a leak.

If you are not sure whether the water is a leak or condensation, there are two ways to check. First, use a pool test strip to see if there is any chlorine or bromine in the water. If there is, contact the factory for service. Second, you can turn off the heater, leave the filter pump running and see if the water stops. If you do not see additional water, then the original water was condensation.

Pool Blankets

A pool blanket has been proven to greatly reduce the heat loss in the pool and will save as much as 50% - 60% in your heating bills. During the start of the swimming season and the end of the season, if a pool blanket is not used, the heater may not be able to maintain your desired temperature without the use of the blanket.

Seasonal Shutdowns

At the end of your swimming season you may have freezing weather conditions. The unions (provided with PRO1000) must be disconnected to drain any water in the pipes. Failure to do so may cause the heat exchanger to expand and crack. **This will void your warranty.**

If you live in an area that does not have freezing weather conditions but are subject to extended periods of non-use, allow the filtration system to continue to run water through the heater. Or you can drain the unit of all water.

Pool Openings

If at the end of the previous season you disconnected the unions, be sure to connect them before you turn on the filtration system. Once the pool has been cleaned and the unit has been checked for leaks, turn the power on the heater and set the thermostat to the desired temperature.

Note: It may take up to three days to reach the desired temperature during the opening of the swimming season. Without a pool blanket, it may take even longer and may not reach the desired temperature until later in the season.

Weather Conditions

Weather conditions play a big part in the operation of the heater. Low outside ambient temperature, high winds, low relative humidity, and a large amount of shading on the pool will all have an effect on how much time it takes to heat the pool and how much time it might need to maintain the desired temperature. Once the outside ambient temperature drops below 50°F, the heater may not operate.

Troubleshooting Guide

If the heater is not operating during the initial start-up, check to see if it has been installed properly, per this owner's manual. Make sure the breaker has been sized properly. The following are conditions to check before calling Aqua Pro Systems for a service:

Unit is not running:

- Check the power light. Check to see if the breaker is set.
- Make sure the filtration system is on
- Make sure the thermostat is higher than the pool water temperature
- Make sure the filter is clean and is allowing enough water to flow
- Make sure the outside ambient temperature is higher than 50°F
- Make sure the 5-minute time delay has passed
- On the PRO100, make sure toggle switch is set to pool or spa mode and is not in the "OFF" position.

Unit is running but not heating:

- Check the air coming out of the top of the unit. It should be approximately 8°F - 15°F lower than the surrounding ambient air temperature. If not, call the factory for service.

Unit runs continuously:

- Check for correct wiring.
- Lower the desired water temperature below the pool water temperature. If the unit is still running, call the factory for service.
- If the unit shuts off when the thermostat is lowered, it may be running continuously because it cannot reach the desired temperature. A pool blanket may be required to help reach this temperature. Also, the filter pump may need to run longer for the heater to reach the desired temperature.

Unit is cycling:

- Check the filters for proper water flow.
- Check the evaporator coil for severe frost.
- Unit could be low on refrigerant. At this point, call the factory for service and turn off the power to the heater to keep the cycling from damaging the compressor.

LIMITED WARRANTY

For five (5) years from the date of purchase for the PRO400, PRO600 & PRO1000, Wayne Water Systems, d/b/a AquaPro Systems ("AquaPro") will repair or replace, at its option, for the original owner any parts of its Heat Pumps ("Product") which are found upon examination by AquaPro to be defective in materials or workmanship. For the Pro 1000 you are covered by a ten (10) year warranty on the compressor, which is prorated from years six (6) through ten (10). The PRO1000 also carries a lifetime warranty on the Titanium tubing in the heat exchanger. This Limited Warranty covers labor for a period of one (1) year on the PRO400 and PRO600 and a period of five (5) years in Florida and one (1) year outside of Florida on the PRO1000.

Please call AquaPro at 1-877-AQUASYS (1-877-278-2797) for instructions. Be prepared to provide a receipt, the model number and serial number when exercising this limited warranty.

Purchaser must pay all transportation charges on Products or parts submitted for repair or replacement.

All non-warranty service charges are the responsibility of the original owner. Failure to pay for non-warranty service charges will void this Limited Warranty.

This Limited Warranty does not cover Products that have been damaged as a result of accident, abuse, freezing, improper pool/spa chemistry on the PRO400 & PRO600, not the PRO1000 as illustrated and explained in the section Pool Chemistry and Warranty (pH not kept between 7.2 to 7.8; total alkalinity ppm not kept between 60 to 180; total Bromine ppm not kept between 2.0 to 10.0; free Chlorine not kept within proper minimum/maximum levels specified for pool or spa; Calcium hardness ppm as CaCO3 not kept within proper minimum/maximum levels specified for pool or spa; Cyanuric Acid not kept within proper minimum/maximum levels specified for pool or spa), misuse, neglect, improper installation, improper maintenance or failure to operate in accordance with AquaPro's written instructions. All maintenance and service must be performed by service agents approved by AquaPro. Any unauthorized alteration or repairs will void this Limited Warranty.

THERE IS NO OTHER EXPRESS WARRANTY. IMPLIED WARRANTIES, INCLUDING THOSE OF MERCHANTABILITY AND FITNESS FOR A PARTICULAR PURPOSE, ARE LIMITED TO ONE (1) YEAR FROM THE DATE OF PURCHASE. THIS IS THE EXCLUSIVE REMEDY AND ANY LIABILITY FOR ANY AND ALL INDIRECT OR CONSEQUENTIAL DAMAGES OR EXPENSES WHATSOEVER IS EXCLUDED.

Some states do not allow limitations on how long an implied warranty lasts, or do not allow the exclusions or limitations of incidental or consequential damages, so the above limitations might not apply to you. This limited warranty gives you specific legal rights, and you may also have other legal rights which vary from state to state.

In no event, whether as a result of breach of contract warranty, tort (including negligence) or otherwise, shall AquaPro or its suppliers be liable for any special, consequential, incidental or penal damages including, but not limited to loss of profit or revenues, loss of use of the products or any associated equipment, damage to associated equipment, cost of capital, cost of substitute products, facilities, services or replacement power, downtime costs, or claims of buyer's customers for such damages.

This Limited Warranty does not include freight charges for equipment or component parts, to and from the factory, services such as maintenance or inspection, repair or damage due to negligence such as freezing conditions, incorrect installation, nor acts of God. It also does not include refrigerant or other expendable materials. The liability of AquaPro Systems shall not exceed the repair or replacement of defective parts under this Limited Warranty. This Limited Warranty also does not include unnecessary service calls due to erroneous operational reports, external valve positions, or electrical service. If a non-warranty service call is made, and the homeowner is unwilling to pay for the service call, this Limited Warranty will be voided. This Limited Warranty is voided if the product is repaired or altered by any persons or agencies other than those authorized by AquaPro Systems. This Limited warranty applies only within the continental USA. For warranty outside the continental USA, contact AquaPro Systems.

You **MUST** retain your purchase receipt along with this form. In the event you need to exercise a warranty claim, you **MUST** present a **copy** of the purchase receipt at the time of service. Please call AquaPro Systems at 1-877-278-2797 for service or return authorization and instructions.

DO NOT MAIL THIS FORM TO AQUAPRO SYSTEMS. Use this form only to maintain your records.

MODEL NO. _____ SERIAL NO. _____ INSTALLATION DATE _____

Sírvase leer y guardar estas instrucciones. Lea con cuidado antes de tratar de armar, instalar, manejar o darle servicio al producto descrito en este manual. Protéjase Ud. y a los demás observando todas las reglas de seguridad. El no seguir las instrucciones podría resultar en heridas y/o daños a su propiedad. Guarde este manual como referencia.

Índice

Importantes instrucciones de seguridad	14
Química de la Piscina y Garantía	14
Procedimientos de instalación	15
Inspección de la unidad	15
Ubicación de la unidad	15
Plomería	16
Funcionamiento básico de la bomba de calor	16
Conexiones eléctricas	16
Controles de temperatura manuales	17
Descripción	17
Luces indicadoras	17
Punto de ajuste	18
Pautas de aplicación	18
Mantenimiento	18
Condensación	18
Cubiertas para piscinas	18
Cerramientos de temporada	18
Aberturas de la piscina	18
Condiciones climáticas	18
Guía de diagnóstico y resolución de problemas	19
Garantía	20

Importantes instrucciones de seguridad

LEA Y SIGA TODAS LAS INSTRUCCIONES.

Guías de seguridad

Este manual contiene información que es muy importante que se conozca y comprenda. Esta información se proporciona con fines de SEGURIDAD y para EVITAR PROBLEMAS CON EL EQUIPO. Para ayudar a reconocer esta información, observe los siguientes símbolos.

⚠️ ADVERTENCIA

Advertencia indica una situación potencialmente peligrosa, que si no se evita, podría dar como resultado la muerte o lesiones graves.

⚠️ PRECAUCION

Precaución indica una situación potencialmente peligrosa que, si no se evita, puede dar como resultado lesiones leves o moderadas.

AVISO

Aviso indica información importante que, si no se cumple, puede causar daños al equipo.

⚠️ ADVERTENCIA

- El agua de una piscina o tina nunca debería exceder los 104°F (40°C). El agua a una temperatura que exceda los 104°F (40°C) no se considera segura para todas las personas. El agua a temperaturas más bajas se recomienda para uso extendido (más de 10-15 minutos) y para niños pequeños.
- El agua a temperaturas excesivas tiene un alto potencial de causar daños al feto durante los primeros meses de embarazo. Las mujeres embarazadas o que puedan estar embarazadas deberían limitar la temperatura del agua de piscinas o tinas a 100°F (38°C).
- Durante o antes del uso de la piscina o de la tina, no se debería consumir alcohol, drogas ni medicamentos ya que su uso podría provocar inconciencia y riesgo de ahogo.

⚠️ PRECAUCION

- Las personas obesas y las personas con antecedentes de enfermedades cardíacas, presión sanguínea alta o baja, problemas en el sistema circulatorio o diabetes deberían consultar con un médico antes de usar una piscina o tina.
- Las personas que tomen medicamentos deberían consultar a un médico antes de usar una piscina o tina ya que algunos medicamentos podrían inducir al adormecimiento, mientras que otros medicamentos podrían afectar el ritmo cardíaco, la presión sanguínea y la circulación.
- La inmersión prolongada en agua caliente puede inducir a la hipertermia. La hipertermia ocurre cuando la temperatura interna del cuerpo alcanza un nivel varios grados por encima de la temperatura normal del cuerpo de 98,6°F (37°C). Los síntomas de hipertermia incluyen mareos, desmayos, adormecimiento, letargo y un aumento de la temperatura interna del cuerpo. Los efectos de

Química de la Piscina y Garantía

El mantener los químicos de la piscina/hidromasaje a los niveles requeridos es extremadamente importante por razones de salud y mantenimiento del equipo. El no cumplir con las normas establecidas de la industria para los niveles apropiados de los químicos de la piscina anulará la garantía de las PRO400 y PRO600. La siguiente tabla indica los niveles recomendados para una piscina normal.

NORMA DE LA INDUSTRIA	MÍNIMO	QUÍMICA IDEAL DEL AGUA	MÁXIMO	PISCINA/ HIDROMASAJE
Cloro libre, ppm	1.0	2.0-4.0	5.0	PISCINA
	2.0	3.0-5.0	10.0	HIDROMASAJE
Bromo total, ppm	2.0	4.0-6.0	10.0	PISCINA/ HIDROMASAJE
pH	7.2	7.4-7.6	7.8	PISCINA/ HIDROMASAJE
Alcalinidad total, ppm	60	80-100*	180	PISCINA
			100-120**	
Dureza en calcio, ppm de CaCO ₃	150	200-400	1000	PISCINA
		100	150-250	800
Ácido De Cyanuric, ppm	0	30-50	***	PISCINA/ HIDROMASAJE

*Para hipoclorito de calcio, hipoclorito de litio, o hipoclorito de sodio.

**Para sodio dicloro, triclora, gas clorhídrico, BCDMH.

***Valores establecidos por las normas locales o del estado. Típicamente 100 ppm.

Si usted tiene preguntas sobre el mantenimiento de su piscina y sus químicos, consulte con su profesional de piscinas APSP/NSPI, o llame al teléfono 877-278-2797 para hablar con el representante de AquaPro.

RECORDATORIO: ¡Guarde su comprobante de compra con fecha para fines de la garantía! Adjúntela a este manual o archívela en lugar seguro.

Guías de seguridad (Continuación)

la hipertermia incluyen: desconocimiento del peligro inminente, falta de percepción del calor; falta de reconocimiento de la necesidad de salir de la piscina o de la tina, incapacidad física para salir de la piscina o de la tina, daño al feto en mujeres embarazadas, e inconsciencia que puede tener como resultado el riesgo de ahogo.

- Como la tolerancia de los dispositivos que regulan la temperatura del agua puede variar hasta $\pm 5^{\circ}\text{F}$ ($\pm 3^{\circ}\text{C}$), debería medir la temperatura del agua en varios lugares usando un termómetro preciso antes de entrar a una piscina o tina.

GUARDE ESTAS INSTRUCCIONES.

Procedimientos de instalación

Inspección de la unidad

Inspeccione la unidad muy cuidadosamente antes de instalarla. Asegúrese de que no han habido daños en las aletas de evaporación y que no hay pinchaduras ni áreas empapadas de aceite en la caja. Esto indicaría un daño en el sistema de refrigeración y debería rechazarse inmediatamente.

LA UNIDAD DEBE TRANSPORTARSE EN POSICIÓN VERTICAL EN TODO MOMENTO Y NO DEBE DEJARSE CAER NI SE LA DEBE PONER EN POSICIÓN HORIZONTAL PARA DESCARGARLA DEL VEHÍCULO.

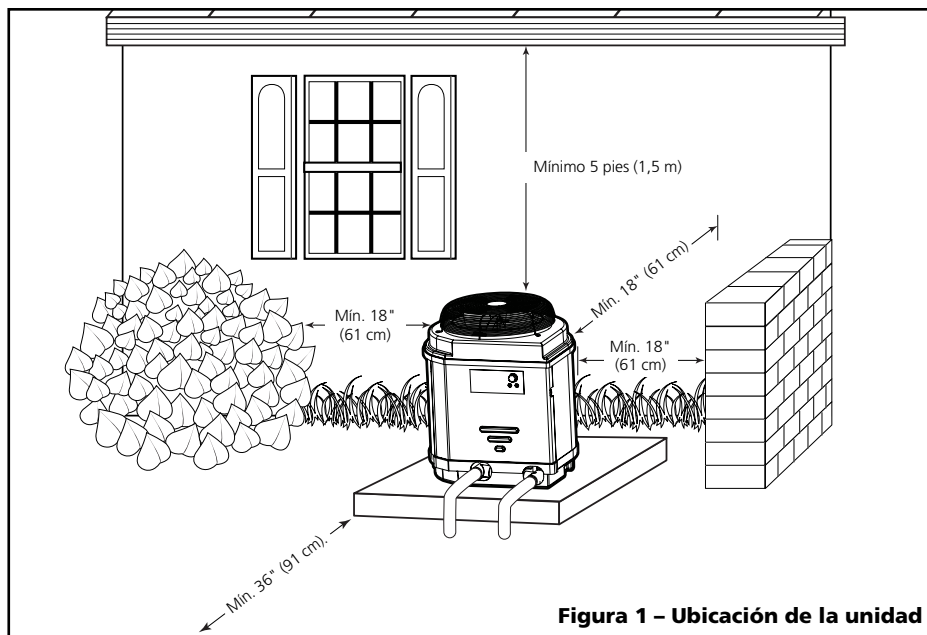


Figura 1 – Ubicación de la unidad

EL DAÑO A LA UNIDAD DURANTE EL TRANSPORTE NO ES RESPONSABILIDAD DEL FABRICANTE.

Ubicación de la unidad

Una vez que la unidad haya sido inspeccionada y se haya descartado cualquier daño durante el transporte, es hora de colocar el calentador de la piscina. Es muy importante entender la ubicación de la unidad para el mejor rendimiento del funcionamiento.

Deberá mantener un espacio mínimo de 18" (45,7 cm) entre las bobinas del evaporador y arbustos, cercas, paredes, etc., para la entrada adecuada de aire.

Se deberá mantener un espacio vertical mínimo de 5' (1,5 m) entre la parte

superior de la unidad y cualquier artefacto colgado del techo u otras obstrucciones a fin de evitar la recirculación de aire frío dentro de las bobinas del evaporador. Esto es para mantener la eficiencia de la unidad.

Se deberá mantener un espacio mínimo de 24" (61 cm) entre la parte delantera de la unidad (área del panel de acceso) y cualquier obstrucción a fin de permitir el mantenimiento de la unidad cuando sea necesario.

La unidad debería colocarse sobre una superficie sólida y nivelada, con un mínimo de 36" x 36" (91,5 cm x 91,5 cm) para un drenaje adecuado.

Asegúrese de que no haya ningún regador rociando agua directamente en la unidad. Aunque las bombas de calor están diseñadas para entornos al aire libre, no están concebidas para tener regadores de agua rociándolas constantemente. **NOTA: Este tipo de rociado constante de agua directamente sobre la unidad puede anular su garantía.**

En todas las unidades se proporcionan orificios de drenaje de condensación para una eliminación adecuada de la condensación y el agua de lluvia. **TODAS LAS UNIDADES TENDRÁN CONDENSACIÓN. ESTO NO DEBE CONFUNDIRSE CON PÉRDIDAS EN LA UNIDAD.**

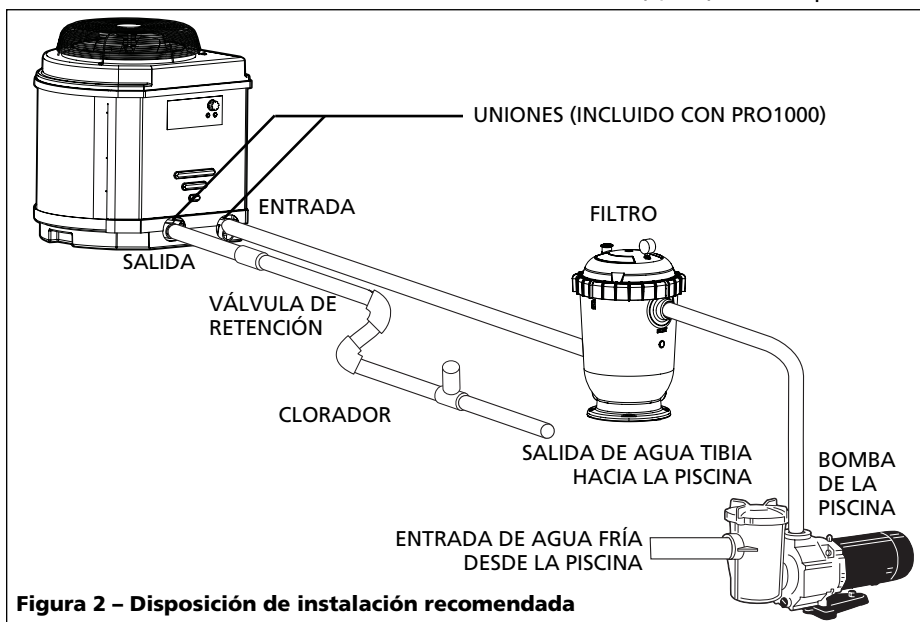


Figura 2 – Disposición de instalación recomendada

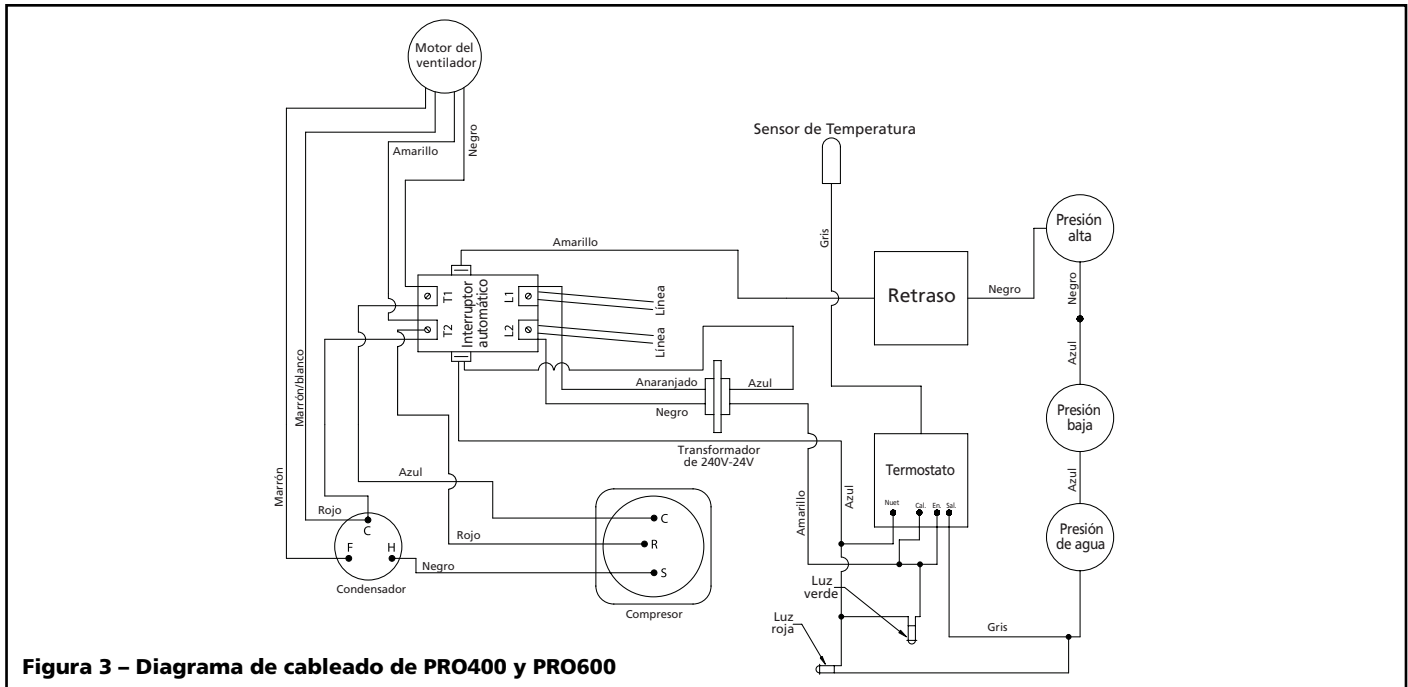


Figura 3 – Diagrama de cableado de PRO400 y PRO600

Plomería

AVISO

En climas de temperaturas bajo cero, la conexión/unión desmontable (proporcionada con el PRO1000) deberá instalarse inmediatamente adyacente al calentador para facilitar el servicio y el drenaje del intercambiador de calor. **El drenaje es necesario para evitar el daño a la caja y las bobinas del condensador debido a la expansión del agua congelada.**

La capacidad mínima de circulación de agua a través del calentador de piscina es de 25 galones (94,6 l) por minuto y la capacidad máxima es 80 galones (302,8 l) por minuto.

No instale una válvula de corte de agua en las tuberías desde la salida del calentador de piscina hasta la piscina o hidromasaje. Sin embargo, se podrá instalar una válvula de retención que no incluya un dispositivo de corte para más practicidad durante el servicio.

Se recomienda una válvula de retención o Hartford Loop entre la unidad y un clorador. El clorador debe estar situado abajo de la bomba de calor. El no hacerlo podría anular la garantía.

Si dispone de un sistema de limpieza integrado, por favor tome nota de los requisitos especiales de plomería para poder operar la unidad con eficacia.

La Figura 2 muestra la disposición de instalación recomendada.

Funcionamiento básico de la bomba de calor

Conexiones eléctricas

ADVERTENCIA

Todo el cableado e instalaciones eléctricas deberán ser realizados por un electricista calificado. Las instalaciones deberán realizarse conforme a los códigos locales y nacionales.

PRECAUCIÓN

Un cableado inadecuado provocará daños por sobrecalentamiento, cortocircuitos e incendio.

Todas las unidades están equipadas con un diagrama esquemático del cableado eléctrico dentro del panel eléctrico. Si esto no está, póngase en contacto con la fábrica al 1-877-278-2797 para obtener uno.

Todas las unidades deberán cablearse para 230 VCA, monofásica. Por favor vea la siguiente tabla para el amperaje correcto:

BOMBA DE CALOR	DISYUNTOR O FUSIBLE
PRO400	20 amperios
PRO600	30 amperios
PRO1000	50 amperios

El calentador de piscinas deberá instalarse conforme al Artículo 680 del Código Eléctrico Nacional (NEC),

el NFPA 70, y cumplir con todos los requisitos de todos los códigos locales con jurisdicción.

Vea la Figura 3 para el diagrama de cableado del PRO400 y PRO600. Vea la Figura 6 para el diagrama de cableado del PRO1000.

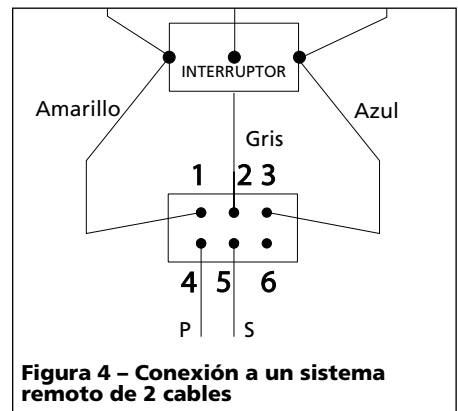


Figura 4 – Conexión a un sistema remoto de 2 cables

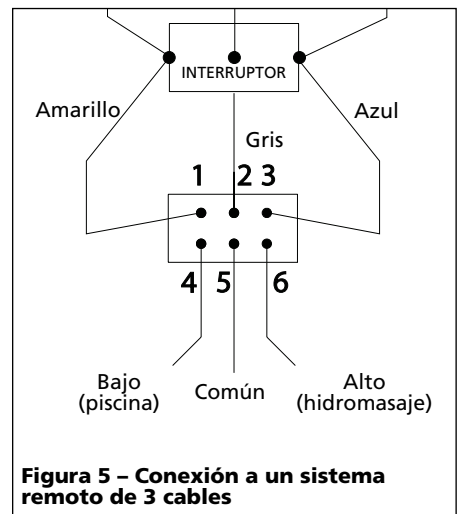


Figura 5 – Conexión a un sistema remoto de 3 cables

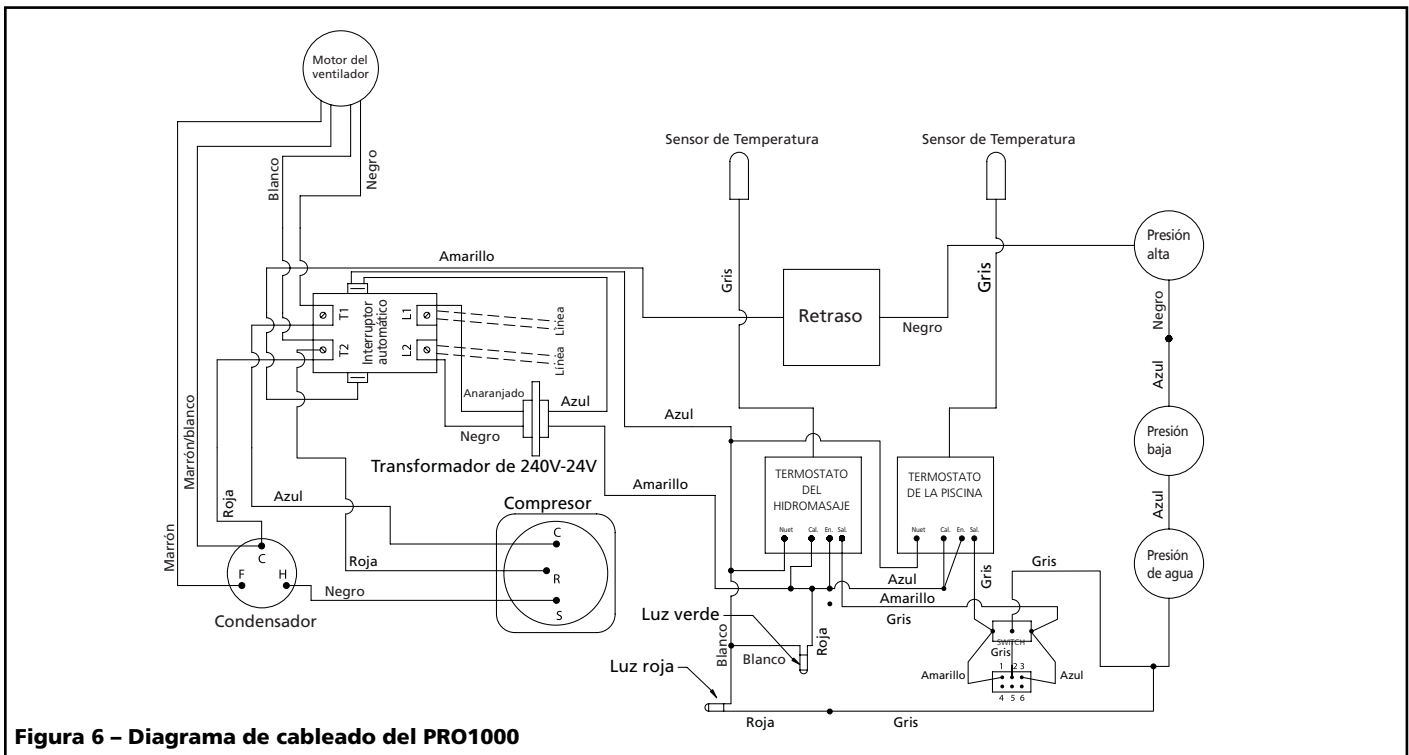


Figura 6 – Diagrama de cableado del PRO1000

Conexión al sistema remoto (sólo PRO1000)

El Calentador de Piscinas PRO1000 es compatible con todos los sistemas remotos conocidos de la industria de piscinas. Si usted tiene o añade un sistema remoto a su piscina, por favor revise estas instrucciones para el cableado y ajuste de los termostatos en su bomba de calefacción para piscina. Necesita saber si su sistema es un sistema de 2 o de 3 cables.

Para sistemas remotos de 2 cables

1. Gire los termostatos de la "piscina" y del "hidromasaje" a sus puntos de ajuste más elevados
2. Ponga el interruptor alternador en la posición "off"
3. Vea la figure 4 para el diagrama de cableado con el sistema remoto de 2 cables
4. Conecte los 2 cables del sistema remoto a las posiciones 4 y 5 en el bloque terminal.

Para sistemas remotos de 3 cables

1. Gire el termostato de la "piscina" a la temperatura deseada de la piscina.
2. Gire el termostato del "hidromasaje" a la temperatura deseada del hidromasaje.
3. Ponga el interruptor alternador en la posición "off".

4. Vea la figure 5 para el diagrama de cableado con el sistema remoto de 3 cables
5. Conecte el cable de baja (o piscina) a la posición 4 en el bloque terminal.
6. Conecte los cables de alta (o hidromasaje) a la posición 6 del bloque terminal.
7. Conecte el cable normal a la posición 5 del bloque terminal.

Controles de temperatura manuales

Descripción - PRO400 & PRO600

- El Control de temperatura manual está diseñado para regular la temperatura del agua de la piscina y de la tina de hidromasaje.
- Hay dos luces indicadoras en el panel de control para mostrar el estado actual de la unidad.
- La perilla del termostato puede ajustarse para mantener la temperatura deseada del agua.

Descripción – PRO1000

- Con el PRO1000, usted tiene un termostato de piscina y uno de hidromasaje, y un interruptor alternador de 3 posiciones.

- Use el interruptor alternador para seleccionar la piscina, el hidromasaje y los ajustes de apagar.
- Las perillas del termostato pueden ajustarse para mantener la temperatura deseada del agua.
- Ver "Conexión a un sistema remoto" para la posición alternada y la posición del termostato cuando la unidad está conectada a un sistema remoto.

Luces indicadoras

- Hay dos luces indicadoras en el panel delantero que muestran el estado de la unidad. La luz VERDE indica que la corriente de la unidad está activa. La luz ROJA indica que la unidad está en modo de calefacción.
- La luz ROJA puede encenderse antes de que comience a funcionar el calentador. La luz ROJA se encenderá cuando la perilla del termostato se configure a la temperatura del agua o por encima de ella.
- La unidad tiene **un tiempo de retardo incorporado**. Cada vez que la unidad se apaga hay un tiempo de retardo de cinco minutos hasta que la unidad pueda reiniciarse. Puede que la luz de CALOR se encienda durante este ciclo de

retardo. No gire la perilla del termostato durante este tiempo de retardo. Si gira la perilla durante este ciclo se podría reiniciar el tiempo de retardo, provocando que la unidad demore cinco minutos adicionales antes de comenzar a funcionar.

Punto de ajuste de la temperatura del agua

- El rango del punto de ajuste de la temperatura es de 45°F a 107°F (7°C a 42°C). Si gira la perilla del termostato hacia la derecha, aumentará el punto de ajuste de la temperatura, mientras que si gira la perilla hacia la izquierda, disminuirá el punto de ajuste de la temperatura.
- Se puede colocar un termómetro flotante en la piscina o la tina de hidromasaje para controlar la temperatura del agua.
- Para calibrar inicialmente el termostato al punto de ajuste deseado, gire la perilla del termostato hacia la derecha, hasta el tope. La unidad se encenderá y comenzará a calentar después de un posible tiempo de retardo de cinco minutos. Permita que la unidad funcione hasta que el agua de la piscina o de la tina de hidromasaje alcance la temperatura deseada. Gire lentamente la perilla del termostato hacia la izquierda hasta que la unidad se apague. La unidad mantendrá ahora esta temperatura del agua, siempre que la bomba de circulación esté funcionando.

Pautas de aplicación

Mantenimiento

Todas las bombas de calor están diseñadas para uso en espacios exteriores. Sin embargo, se necesita cierto mantenimiento para mantener toda la vida útil del calentador y es necesario para mantener su garantía. Se debería programar el mantenimiento anual para asegurarse de que se elimine la arena o los residuos del interior del calentador. El enjuagar mensualmente la bobina con agua a baja presión ayuda a

mantener la base de la unidad libre de residuos. No use una lavadora de alta presión. Esto puede causar daño a las bobinas de su evaporador y anulará su garantía. Se recomienda que un especialista licenciado en acondicionamiento de aire realice el mantenimiento anual programado de su calentador.

PRECAUCION

Si decide enjuagar las bobinas del evaporador usted mismo, desconecte la corriente de todo el equipo antes de enjuagarlo. Esto debe hacerse a fin de evitar un posible choque eléctrico.

Condensación

Todos las bombas de calor para piscinas tendrán condensación. Es típico tener tanto como 6 a 8 galones (23 l a 31 l) de condensación o de agua por hora, durante un día cálido y húmedo. No confunda esto con una pérdida.

Si usted no sabe con seguridad si el agua viene de una pérdida o de condensación, hay dos maneras de averiguarlo. Primero, use una tira de prueba para piscinas para ver si hay cloro o bromo en el agua. Si los hay, póngase en contacto con la fábrica para solicitar un servicio. En segundo lugar, puede apagar el calentador, dejar la bomba del filtro funcionando y ver si el agua deja de correr. Si no ve más agua, entonces el agua que había originalmente era condensación.

Cubiertas para piscinas

Se ha comprobado que las cubiertas para piscinas reducen en gran medida la pérdida de calor en la piscina y ahorrarán un máximo de 50% a 60% en sus facturas de calefacción. Durante el comienzo de la temporada de verano y al final de la misma, si no se usa una cubierta para piscinas, puede que el calentador no pueda mantener la temperatura que usted desea sin el uso de la cubierta.

Cerramientos de temporada

Al final de la temporada de verano puede tener condiciones climáticas de congelamiento. Las uniones (incluidas con el PRO1000) deben desconectarse para drenar toda el agua de las tuberías. El no hacer esto podría provocar que el intercambiador de calor se expandiera y se quebrara. **Esto anulará su garantía.**

Si vive en una región que no tiene condiciones climáticas de congelamiento pero está sujeto a largos períodos sin uso, permita que el sistema de filtración continúe pasando agua a través del calentador. O puede drenar toda el agua de la unidad.

Aberturas de la piscina

Si al final de la temporada anterior usted desconectó las uniones, asegúrese de conectarlas antes de encender el sistema de filtrado. Una vez que se haya limpiado la piscina y se haya comprobado que la unidad no tiene pérdidas, conecte la corriente del calentador y configure el termostato a la temperatura deseada.

Nota: Podría llevar hasta tres días alcanzar la temperatura deseada durante el comienzo de la temporada de verano. Sin una cubierta para piscinas, podría llevar aún más tiempo e incluso podría suceder que no se alcanzara la temperatura deseada hasta un momento posterior en la temporada.

Condiciones climáticas

Como se puede esperar, las condiciones climáticas juegan un papel esencial en el funcionamiento del calentador. Las temperaturas exteriores bajas, los vientos fuertes, la humedad relativa baja y una gran cantidad de sombra en la piscina tendrán un efecto en el tiempo que demore en calentar la piscina, y en el tiempo que se necesitará para mantener la temperatura deseada. Una vez que la temperatura ambiente exterior baje por debajo de los 50°F (10°C), es posible que el calentador no funcione.

Guía de diagnóstico y resolución de problemas

Si el calentador no está funcionando durante el encendido inicial, verifique para ver si se ha instalado correctamente, según este manual del propietario. Asegúrese de que el disyuntor se haya medido correctamente. Las siguientes son condiciones a verificar antes de llamar a Aqua Pro Systems para solicitar un servicio:

Códigos de diagnóstico:

Si ha aparecido un código de diagnóstico en la pantalla, consulte la sección del Controlador de Temperatura Electrónico y averigüe la causa de este código. Una vez que haya hecho todo lo recomendado, entonces llame a la fábrica para solicitar un servicio.

La unidad no está funcionando:

- Verifique la luz de corriente. Verifique que el disyuntor esté en la posición correcta.
- Asegúrese de que el sistema de filtrado esté encendido.
- Asegúrese de que el termostato está más alto que la temperatura del agua de la piscina.
- Asegúrese de que el filtro esté limpio y esté permitiendo que fluya la cantidad suficiente de agua
- Asegúrese de que la temperatura ambiente exterior sea mayor a 50°F (10°C)
- Asegúrese de que haya transcurrido el tiempo de espera de 5 minutos.
- Con el PRO1000, asegúrese de que el interruptor alternador esté ajustado en modo de piscina o hidromasaje, y no esté en la posición "off".

La unidad está funcionando pero no calienta:

- Verifique el aire que sale de la parte superior de la unidad. Debería tener aproximadamente de 8°F a 15°F (-13°C a -9°C) menos que la temperatura del aire ambiente del entorno. Si no es así, llame a la fábrica para solicitar servicio.

La unidad funciona continuamente:

- Averigüe que el cableado esté correctamente instalado.
- Baje la temperatura deseada del agua por debajo de la temperatura del agua de la piscina. Si la unidad aún está funcionando, llame a la fábrica para solicitar servicio.
- Si la unidad se apaga cuando se baja el termostato, puede ser que esté en constante funcionamiento porque no puede alcanzar la temperatura deseada. Puede que se necesite una cubierta para piscinas para ayudar a alcanzar esta temperatura. También, puede que la bomba del filtro necesite funcionar por más tiempo para que el calentador alcance la temperatura deseada.

La unidad tiene un funcionamiento cíclico:

- Verifique que los filtros tengan el flujo de agua adecuado.
- Verifique la bobina del evaporador por congelamiento grave.
- La unidad podría tener poco refrigerante. En este momento, llame a la fábrica para solicitar servicio y apague la corriente del calentador para que el funcionamiento cíclico no dañe el compresor.

GARANTÍA LIMITADA

Durante 5 (cinco) años a partir de la fecha de compra del PRO400, PRO600 y PRO1000, Wayne Water Systems, cuyo nombre comercial es AquaPro Systems ("AquaPro") reparará o cambiará, a su propio criterio, para el propietario original, cualquier pieza de sus bombas de calor ("Producto") que AquaPro determine, luego de examinarlo, que tienen defectos de materiales o de mano de obra. Para el PRO1000 usted está cubierto por una garantía de diez (10) años sobre el compresor, la cual es prorrateada del año seis (6) hasta el año diez (10). El PRO1000 también viene con una garantía de por vida sobre la tubería de titanio en el intercambiador de calor. La Garantía Limitada cubre la mano de obra por un período de un (1) año para el PRO400 y el PRO600 y un período de cinco (5) años en Florida y un (1) año fuera de Florida para el PRO1000.

Por favor, llame por instrucciones a AquaPro, al teléfono 1-877-AQUASYS (1-877-278-2797). Esté listo a proporcionar el recibo, el número del modelo y de serie cuando ejerza el derecho a esta garantía limitada.

El comprador deberá pagar todos los cargos de transporte de los Productos o piezas enviadas para reparación o cambio.

Todos los cargos por servicios que no entran en esta garantía corren por cuenta del comprador original. El no pago de los cargos que no pertenecen a la garantía anularán esta Garantía limitada.

Esta Garantía Limitada no cubre los Productos que hayan sufrido daños resultantes de accidentes, abusos, congelación, manejo inapropiado de los químicos de la piscina/hidromasaje con el PRO400 y el PRO600, no el PRO1000 como se indica y explica en la sección Química de la Piscina y Garantía (pH fuera del rango de 7,2 a 7,8; alcalinidad total en ppm no mantenida entre 60 y 180; bromo total no mantenido entre 2,0 y 10,0; cloro libre no mantenido entre los niveles mínimos y máximos especificados para la piscina o hidromasaje; dureza en calcio como ppm de CaCO₃ no mantenida entre los niveles mínimos y máximos especificados para la piscina o hidromasaje; ácido cianhúrico no mantenido entre los niveles mínimos y máximos especificados para piscina o hidromasaje), uso inapropiado, descuido, instalación inapropiada, mantenimiento inadecuado o uso en desacuerdo con las instrucciones escritas de AquaPro. Todo el mantenimiento y servicio deberá ser realizado por parte de agentes de servicio aprobados por AquaPro. Cualquier modificación o reparación no autorizada anulará esta Garantía limitada.

NO EXISTE OTRA GARANTÍA EXPRESA. LAS GARANTÍAS IMPLÍCITAS, INCLUYENDO AQUELLAS DE COMERCIALIZACIÓN Y APTITUD PARA UN PROPÓSITO EN PARTICULAR, ESTÁN LIMITADAS A 5 (CINCO) AÑOS A PARTIR DE LA FECHA DE COMPRA. ÉSTE ES EL RECURSO EXCLUSIVO Y SE EXCLUYE CUALQUIER RESPONSABILIDAD POR TODO Y CUALQUIER DAÑO INDIRECTO O CONSECUENTE O GASTOS AFINES.

Algunos estados no permiten limitaciones sobre la duración de las garantías implícitas o no permiten la exclusión ni la limitación de daños incidentales o consecuentes, por lo tanto es posible que las limitaciones anteriores no se apliquen en su caso. Esta garantía limitada le proporciona derechos legales específicos, y también puede tener otros derechos legales que varían de un estado a otro.

Bajo ningún concepto, ya sea por incumplimiento del contrato de garantía, incumplimiento extracontractual (incluyendo negligencia) u otro, AquaPro o sus proveedores serán responsables de ningún daño especial, consecuente, incidental o penal, incluyendo, pero sin limitarse a pérdida de ganancias, pérdida de uso del producto o cualquier equipo asociado, daños al equipo asociado, costo de capital, costo de productos sustitutos, instalaciones, poderes de servicio o reemplazo, costos de inutilidad, o reclamos de clientes del comprador por dichos daños.

Esta garantía limitada no incluye gastos de flete por equipos o piezas, hacia y desde la fábrica, servicios como mantenimiento o inspección, reparación o daños debido a negligencia tal como condiciones de congelamiento, instalación incorrecta ni hechos fortuitos. Tampoco incluye el refrigerante ni otros materiales fungibles. La responsabilidad de AquaPro Systems no excederá la reparación o cambio de piezas defectuosas bajo esta Garantía limitada. Esta Garantía limitada tampoco incluye llamadas innecesarias por servicios debido a informes de funcionamiento erróneos, posiciones de válvulas externas o servicio eléctrico. Si se realiza una llamada que no esté cubierta por esta garantía y el propietario de la casa se niega a pagar la llamada de servicio, se anulará esta Garantía limitada. Esta Garantía limitada se anulará si el producto es reparado o modificado por cualquier persona o agencia que no sean aquellas autorizadas por AquaPro Systems. Esta Garantía limitada se aplica únicamente dentro de los EE.UU. continentales. Por garantía fuera de los EE.UU. continentales, póngase en contacto con AquaPro Systems.

Usted **DEBE** conservar su recibo de compra junto con este formulario. En caso de que necesite hacer ejercicio de un reclamo dentro de la garantía, **DEBERÁ** presentar una **copia** del recibo de compra en el momento del servicio. Sírvase llamar a AquaPro Systems al 1-877-278-2797 para solicitar servicio o una autorización de devolución e instrucciones.

NO ENVÍE ESTE FORMULARIO POR CORREO A AQUAPRO. Utilice este formulario para mantener un registro.

Nº DE MODELO _____ Nº DE SERIE _____ FECHA DE INSTALACIÓN _____

