

LADDER CLOSURE FOR THE WEDDING CAKE II

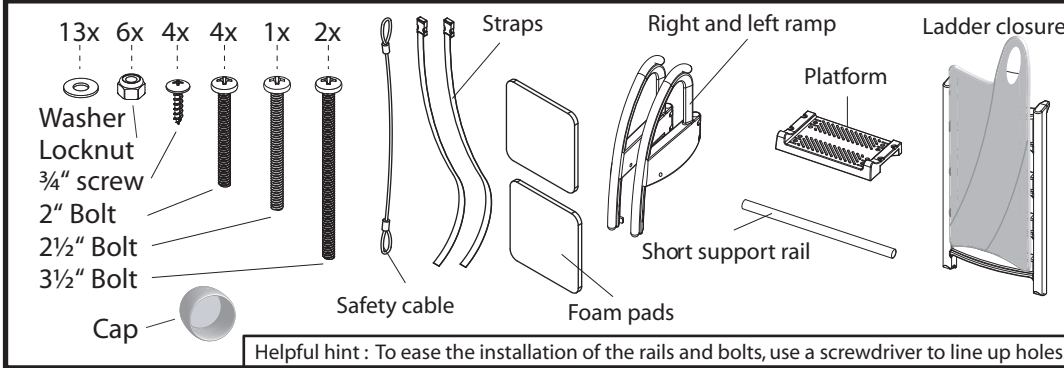


www.lumi-o.com

Installation

Read carefully the cautions and every steps before assembly and using your step.

Material included:



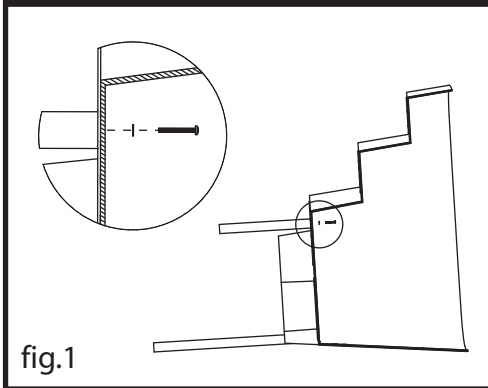
Follow steps 1, 2 and 3* of The Wedding Cake II instruction sheet.

* Do not install the deck bracket from step 3.

**Not included

Caution : File off all stripped or sharp edges before assembly to avoid injuries and pool damage.

Step 1

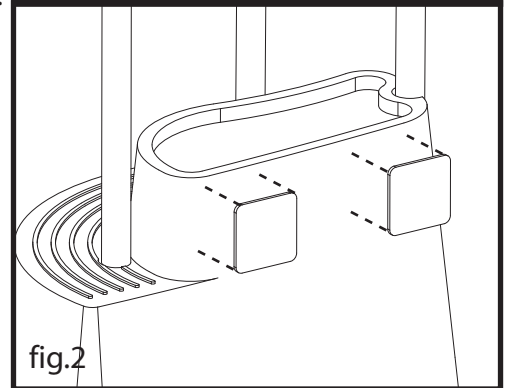


1- Put the step on the side to fix the short support rail on the step. Screw from the inside using the predilled hole with the 2 1/2 bolt (1), and washer (1). (fig.1)

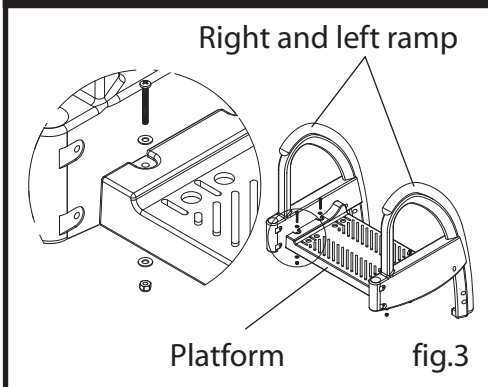
2- Install the two foam pads in the upper back of the step. (fig.2)

3- Attach the platform to the left and right ramps using the 2" bolts (4), washers (4) and locknuts (4). (fig.3)

Step 2



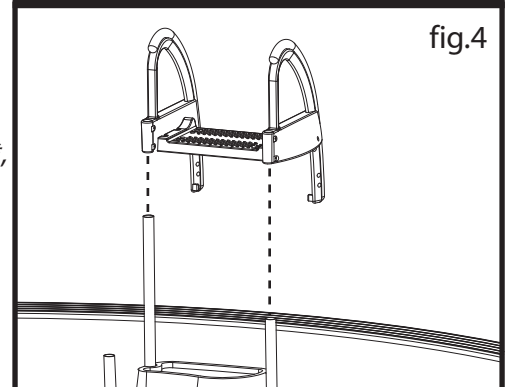
Step 3



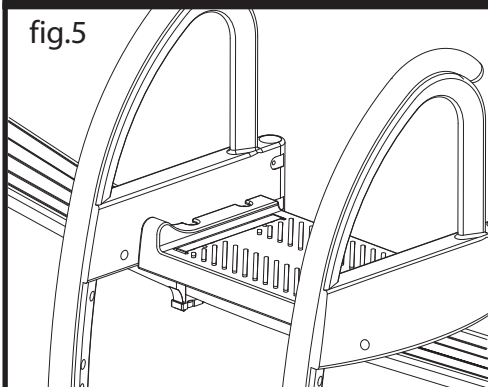
*N.B move the step diagonally into the water to allow the air to escape. Place the step by the wall leaving at least 1 Inch from the wall. Ensure that the step touches the ground solidly. Fill the ballast unit with sand**, seal with the plastic cap and put the ballast unit on top of the step as illustrated on step 6 of the Wedding Cake II instruction.*

4- Slide the assembled portion of the ladder onto the rails of the step. (fig.4)

Step 4



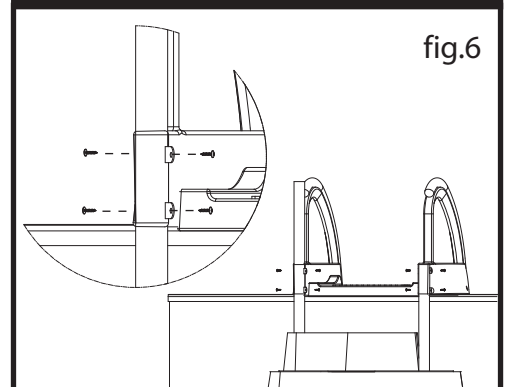
Step 5

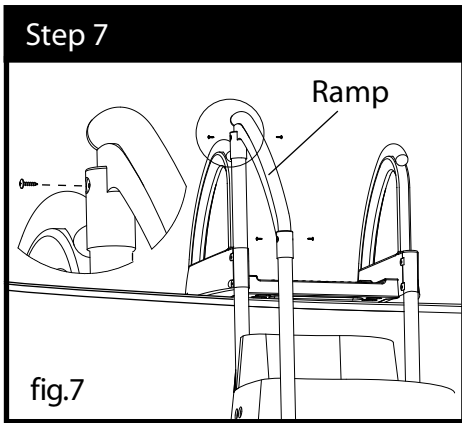


5- Lower the assembled portion of the ladder until it rests on the toprail. Fix the platform to the toprail of the pool introducing the straps into the opening of the platform and under the toprail. (fig.5)

6- Stabilize the assembled portion of the ladder to the steps using the 3/4" screws (8). (fig.6)
Put the cap on the short rail.

Step 6





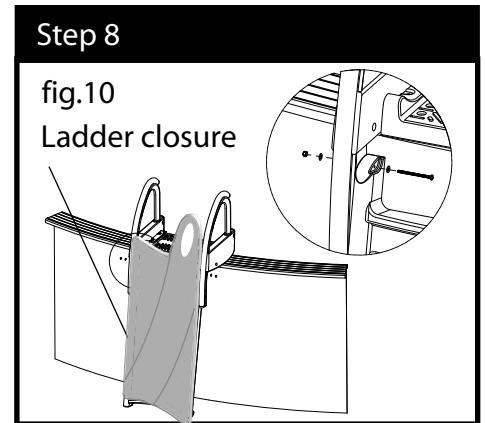
7- Attach the ramp to the support tubes of the step using the 3/4" screws(2). (fig.7)

8- Attach the ladder closure to the ramps using the 3 1/2" bolts (2), washers and locknuts. Use the top holes on the ramps for 48" high pools, the middle holes for 52" pools and the bottom holes for 54" pools. (fig.10)

Notes : Do not over tighten bolts.

9- The ladder closure needs to be inclining properly to ensure its self-latching/self-closing property.

10- Use a padlock** with the cable supplied to lock the ladder closure. When the pool is not in use, always secure and lock the gate.



Remember:

Nothing replaces parental supervision
Watch children at all time.

WARNING !

Lumi-O Industries manufactures this product in accordance to code requirements set forth by BOCA / ANSI / NSPI while subject to the intended proper and normal use as outlined on the following instructions.



*** Not included with the step**

Call your pool supply for more information.

CAUTION

- :: Install the step on a solid base and flat base.
- :: Do not jump or dive from the step.
- :: The step should be removed from the water when temperature drop below freezing.
- :: Never lift the step by its rail.
- :: Use battery-operated tools to avoid electric shock near water
- :: Ensure no corrosive materials are added to the step or hardware kit
- :: The step and ladder shall be installed per manufacturer's instructions.
- :: File off all stripped or sharp edges of hardware to avoid injury.
- :: The manufacturer is not responsible for damage or injuries caused by improper installation or use.
- :: For more protection, we suggest to install a step pad* under the step.
- :: For special installation contact your dealer.