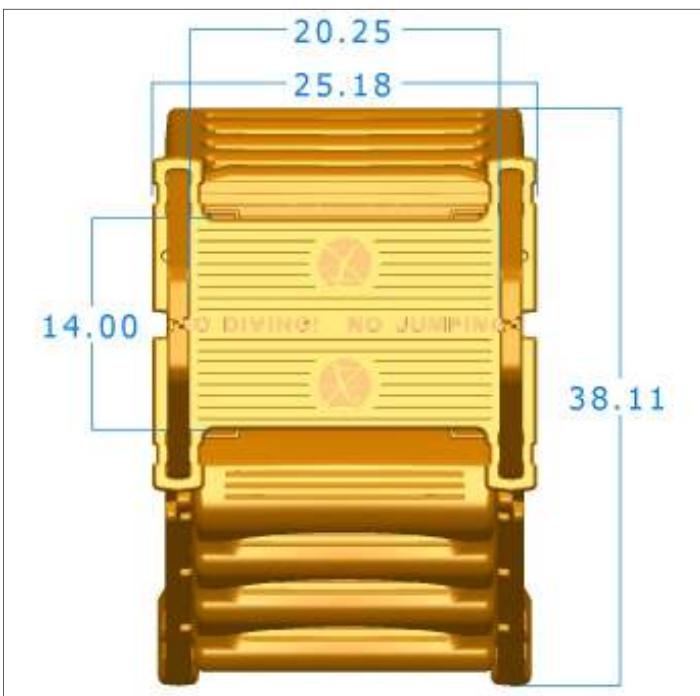
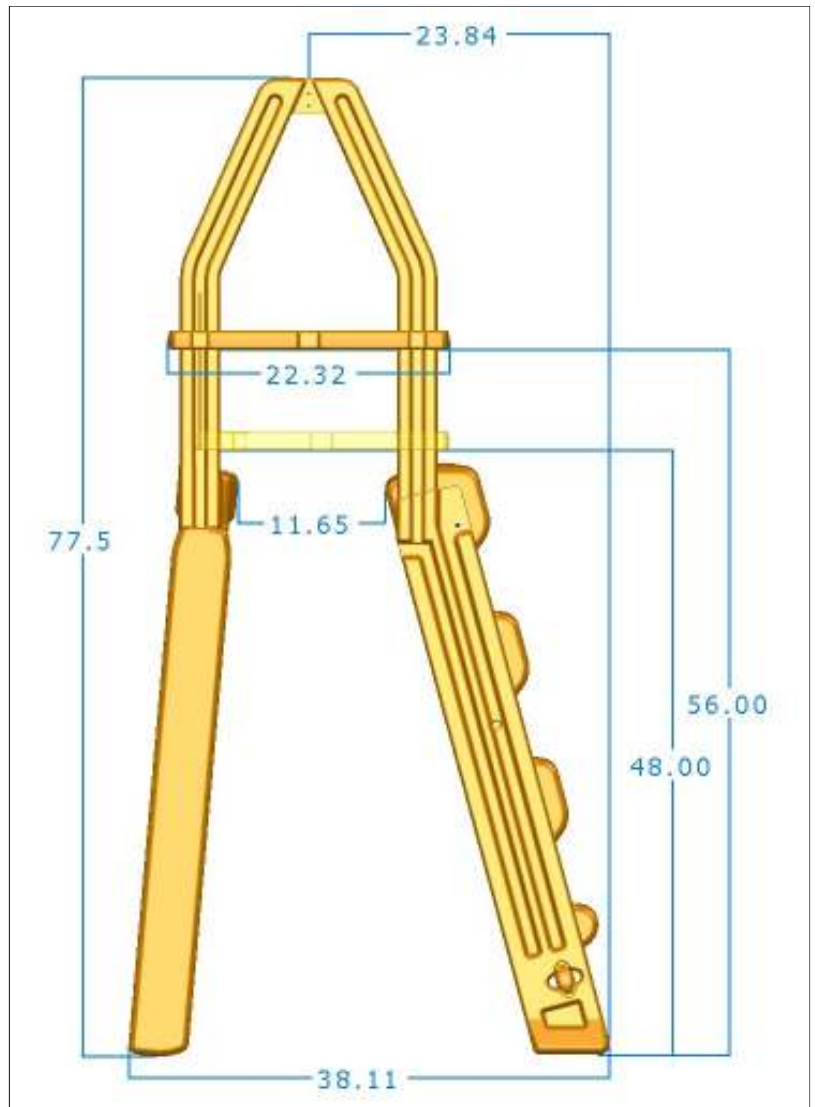
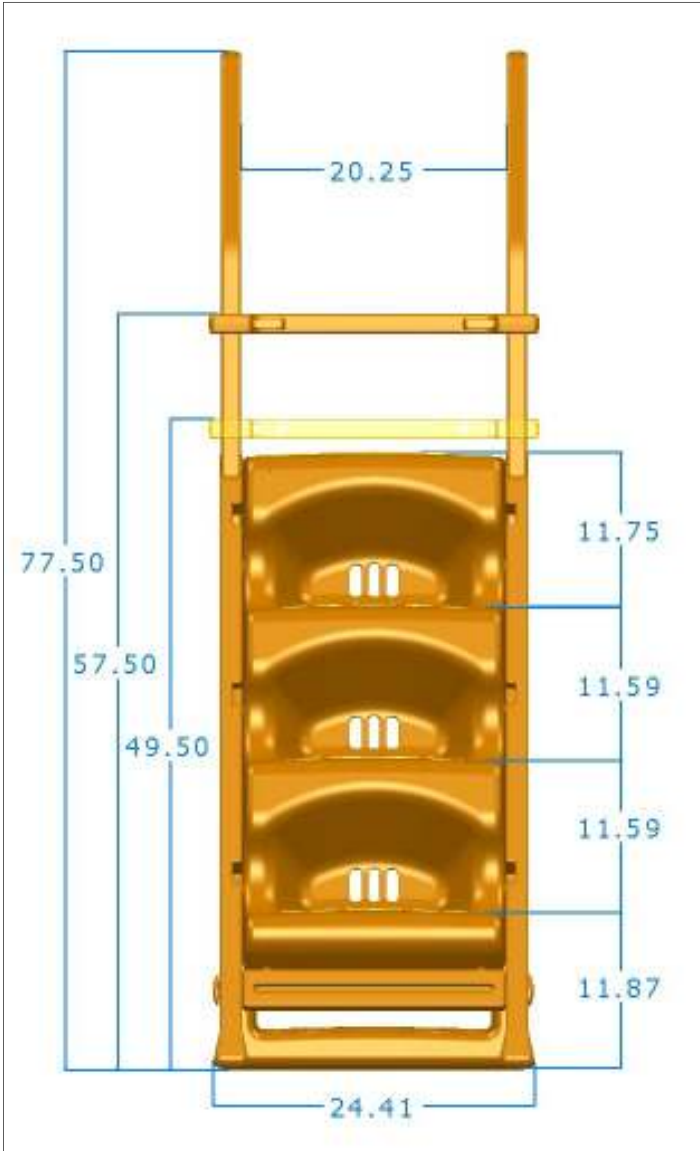


ROTATE & LOCK MEASUREMENTS & SPECS



FEATURES & SPECIFICATIONS

- All resin construction
 - Stainless hardware
- Extremely easy assembly (few parts)
 - Easily adjustable from 48" to 56"
 - Designed for today's taller pools
 - Double tie-down strap for stability
 - Can be converted to deck ladder
- Connect resin pool fence to enclose pool
 - Single carton packaging
 - Optional accessories available
- Occupies limited space within pool
- Unique "rotate & lock" for safety
 - 300lb capacity