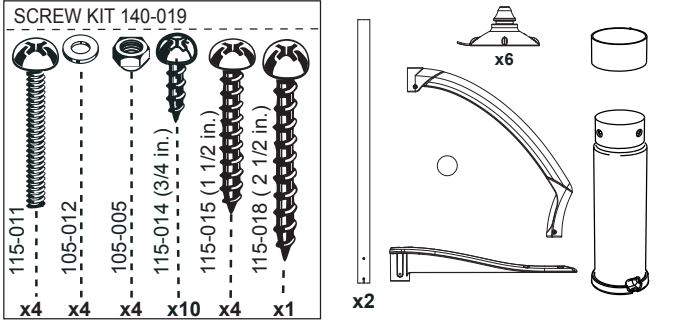
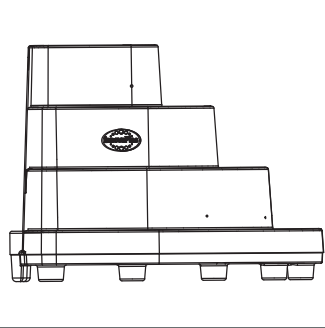


MAJESTIC 8000

Contents of box # sku 8000



Majestic step



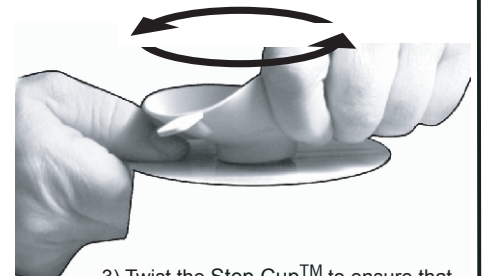
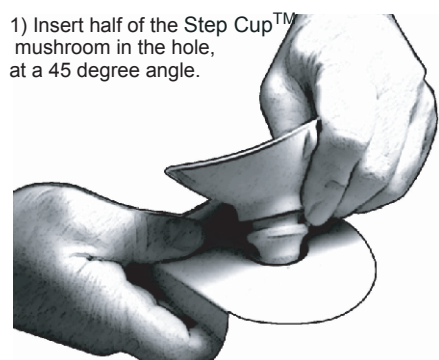
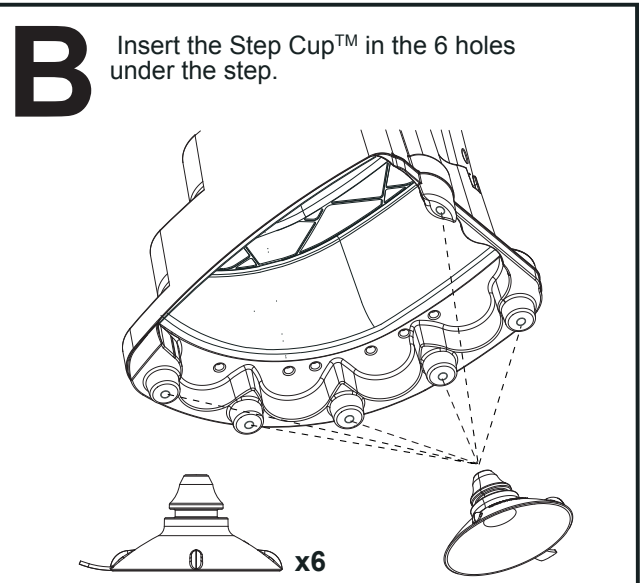
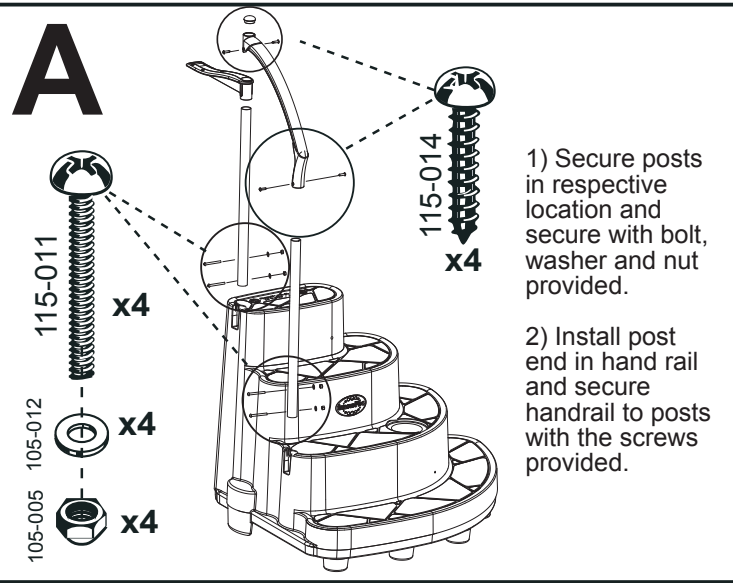
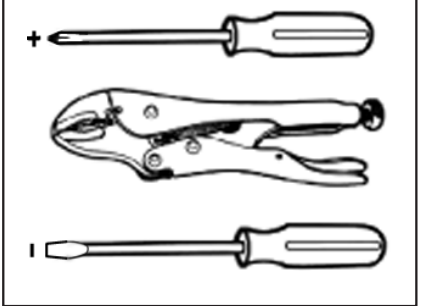
Sand (not included)



⚠ WARNING

- ▶ Do not dive or jump from step or ladder.
- ▶ Use BATTERY operated tools to avoid electric shocks.
- ▶ Install the pool step on a flat surface
- ▶ Remove step from pool during freezing climate season.
- ▶ Manufacturer cannot be held responsible for injuries caused by abusive use of product.
- ▶ Ask your city about specific regulations that apply to your above ground pool and ladder.

Tools required (not included)

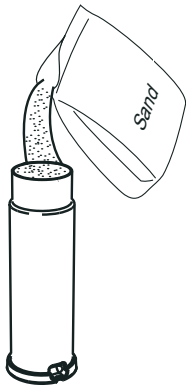


CAUTION

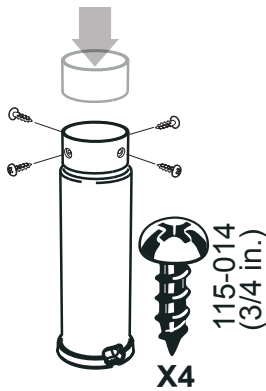
Failing to install the Step cup™ will greatly reduce the steadiness of the step and will void the manufacturer warranty.

C

1) Fill the counterweight to the brim with sand.



2) Secure the counterweight cover with the screws provided.

**D**

1) Slowly submerge the step into the pool. Make sure you do not damage the pool liner in the process.

*MINIMUM OF 1"

*All Step Cup™ must be installed

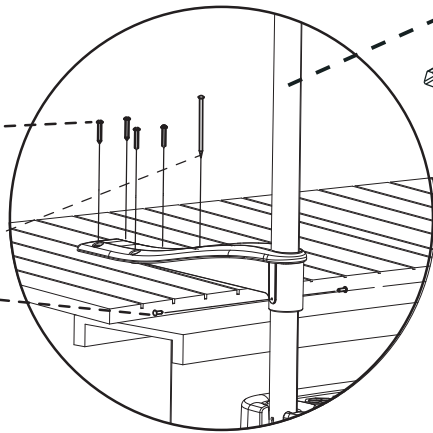
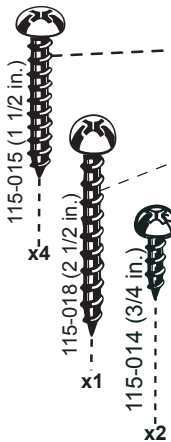
CAUTION*

To prevent a pool liner puncture, install all Step Cup™ as specified and keep a minimum of 1" inch gap between the pool liner and the rear underside of the step.

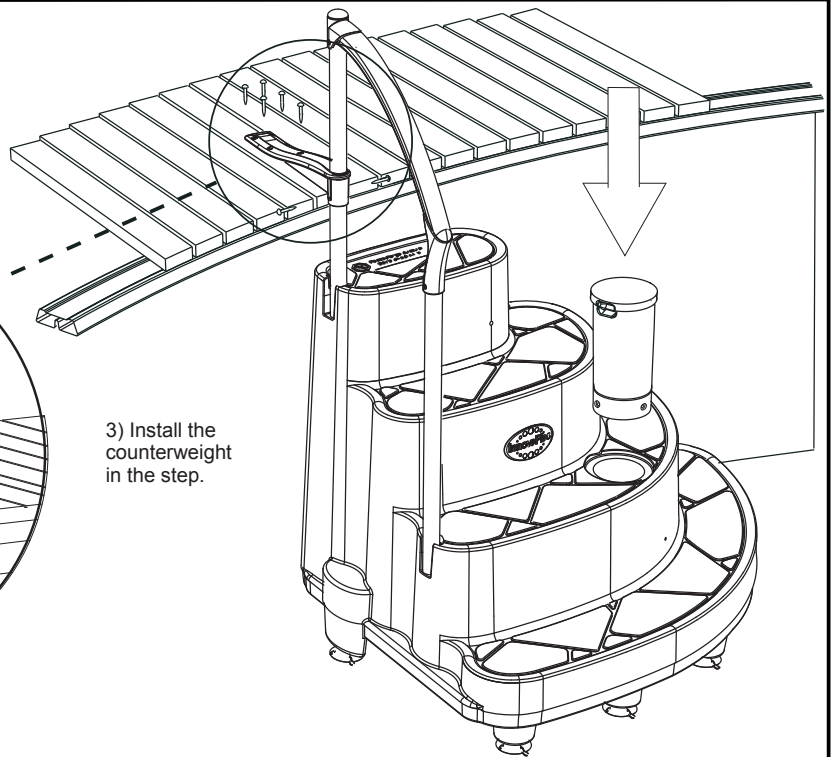
E

1) Apply firm pressure to step by walking along the steps to engage the Step Cup™.

2) Adjust the height of the deck arm according to your deck and secure in place with the screws provided

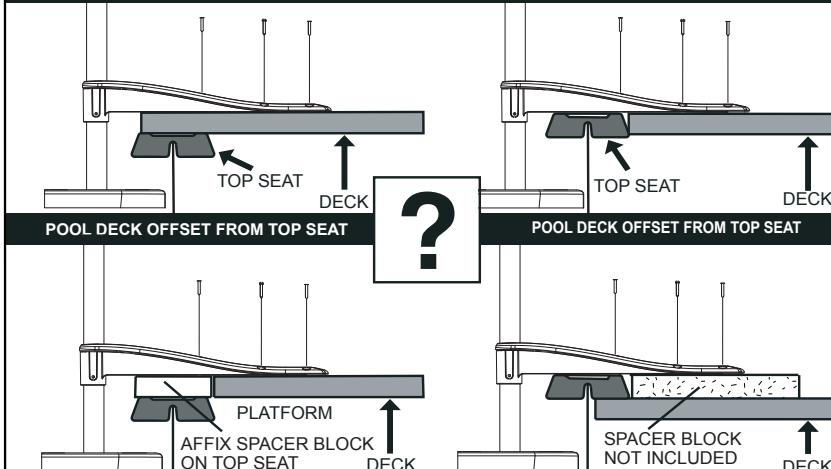


3) Install the counterweight in the step.



POOL DECK ABOVE POOL TOP SEAT

POOL TOP SEAT FLUSH FIT WITH DECK POOL



MANUFACTURER WARRANTY

2 years on the Majestic pool step.
1 year on the hardware.

InnovaPlas

The pool Step Company

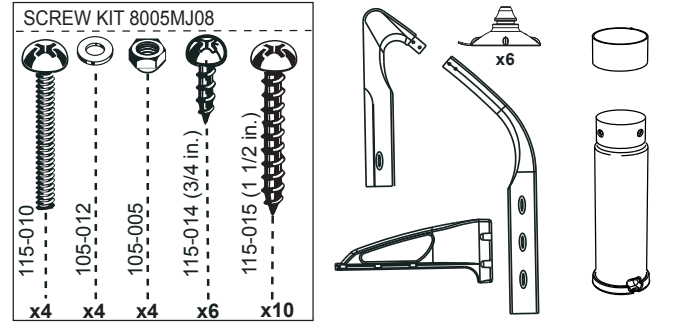
4275, Ch. Rhéaume
Sherbrooke, Québec
J1R 0A2

WWW.INNOVAPLAS.COM

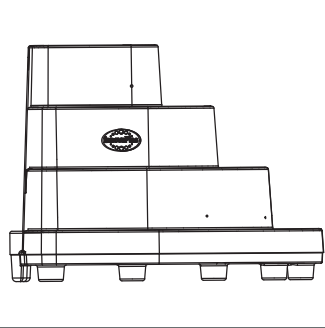


MAJESTIC 8005

Contents of box # sku 8005



Majestic step



Sand

(not included)

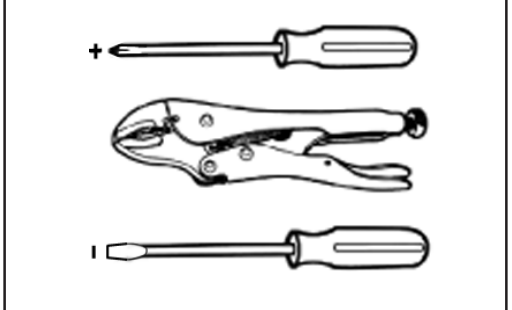


⚠ WARNING

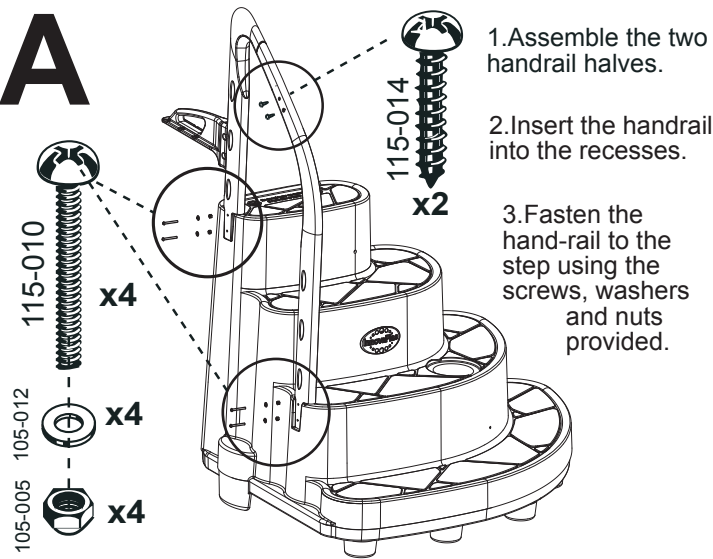
- ▶ Do not dive or jump from step or ladder.
- ▶ Use BATTERY operated tools to avoid electric shocks.
- ▶ Install the pool step on a flat surface
- ▶ Remove step from pool during freezing climate season.
- ▶ Manufacturer cannot be held responsible for injuries caused by abusive use of product.
- ▶ Ask your city about specific regulations that apply to your above ground pool and ladder.

Tools required

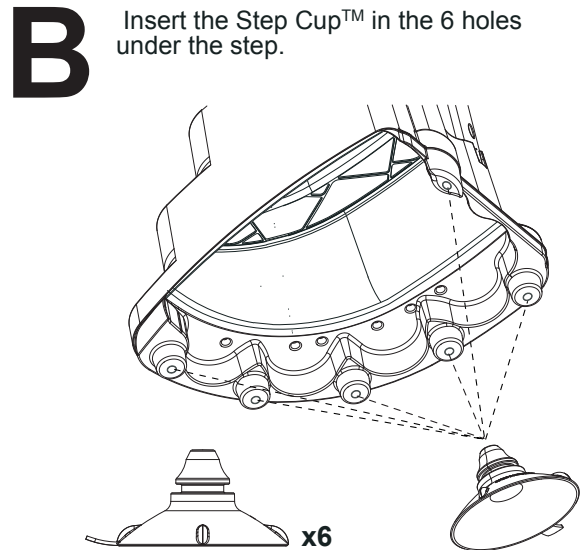
(not included)



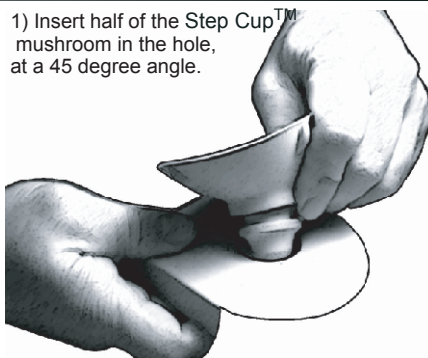
A



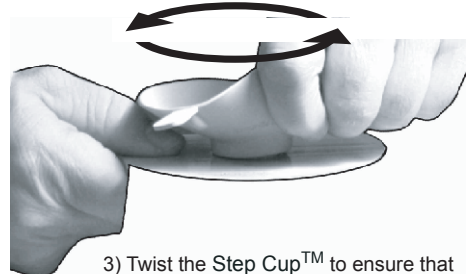
B



1) Insert half of the Step Cup™ mushroom in the hole, at a 45 degree angle.



2) With a flat screwdriver, compress the Step Cup™ mushroom ring while pushing it into the hole.



3) Twist the Step Cup™ to ensure that its mushroom has entirely cleared the wall thickness. If it has, the suction cup should rotate freely.

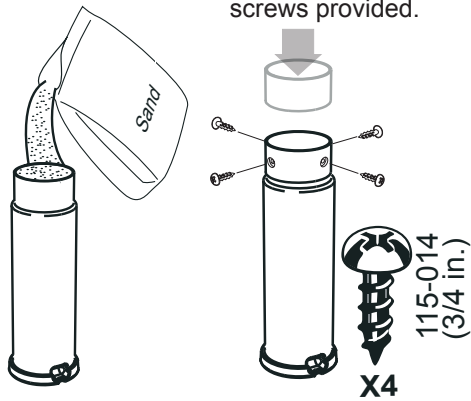
CAUTION

Failing to install the Step Cup™ will greatly reduce the steadiness of the step and will void the manufacturer warranty.

C

1) Fill the counterweight to the brim with sand.

2) Secure the counterweight cover with the screws provided.

**D**

1) Slowly submerge the step into the pool. Make sure you do not damage the pool liner in the process.

*MINIMUM OF 1"

*All Step Cup™ must be installed

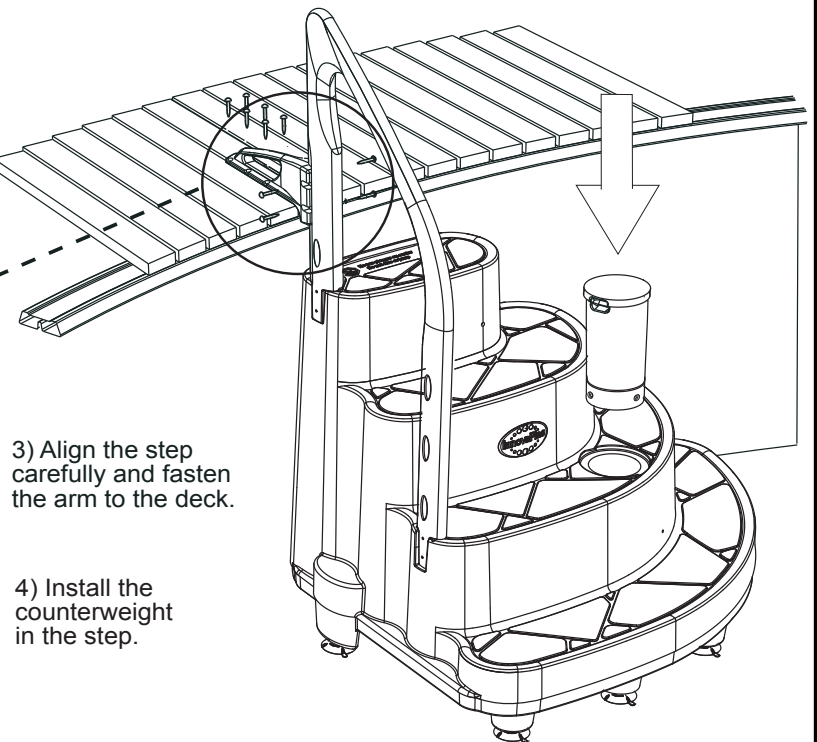
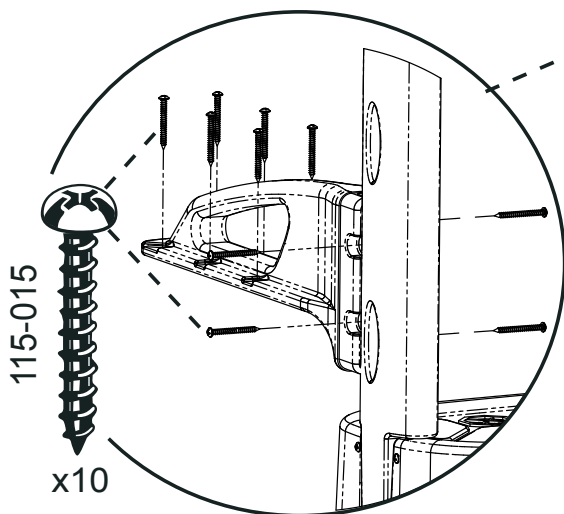
CAUTION*

To prevent a pool liner puncture, install all Step Cup™ as specified and keep a minimum of 1" inch gap between the pool liner and the rear underside of the step.

E

1) Apply firm pressure to step by walking along the steps to engage the Step Cup™.

2) Affix the small arm to the handrail vertical post using the 4 screws.

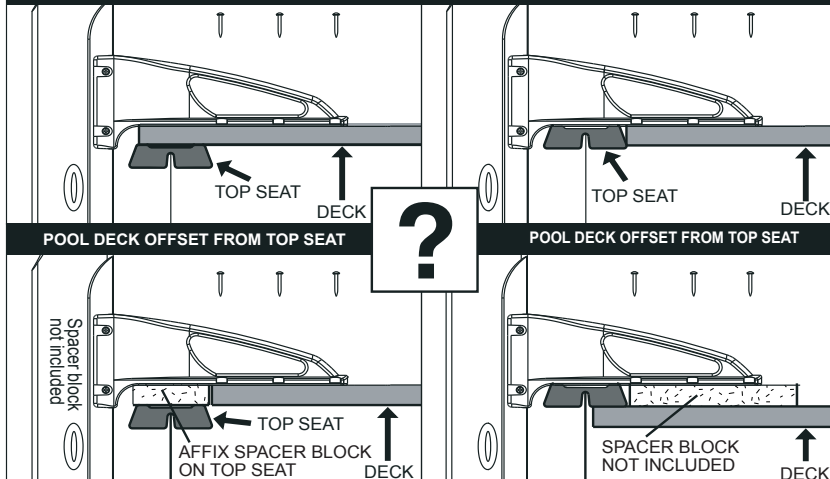


3) Align the step carefully and fasten the arm to the deck.

4) Install the counterweight in the step.

POOL DECK ABOVE POOL TOP SEAT

POOL TOP SEAT FLUSH FIT WITH DECK POOL



MANUFACTURER WARRANTY

2 years on the Majestic pool step.
1 year on the hardware.

InnovaPlas

The pool Step Company

4275, Ch. Rhéaume
Sherbrooke, Québec
J1R 0A2

WWW.INNOVAPLAS.COM

