

**FEATURES:**

- Rotational Molded - Polyethalene Construction on Flume, Steps, Rails & Leg Supports (PVC Legs)
- Available in Summit Gray Only
- Assembles in **Right OR Left Turn**
- 72.5" High at Seating Area
- Fantastic Water Supply System
- Stainless Steel Hardware
- Fully Molded Treads Provide Safe Access to Slide Flume
- Weight Limit = 250 Lbs.
- Full Exploded View - pg. F22 - F23

**X-STREAM™ SLIDE**

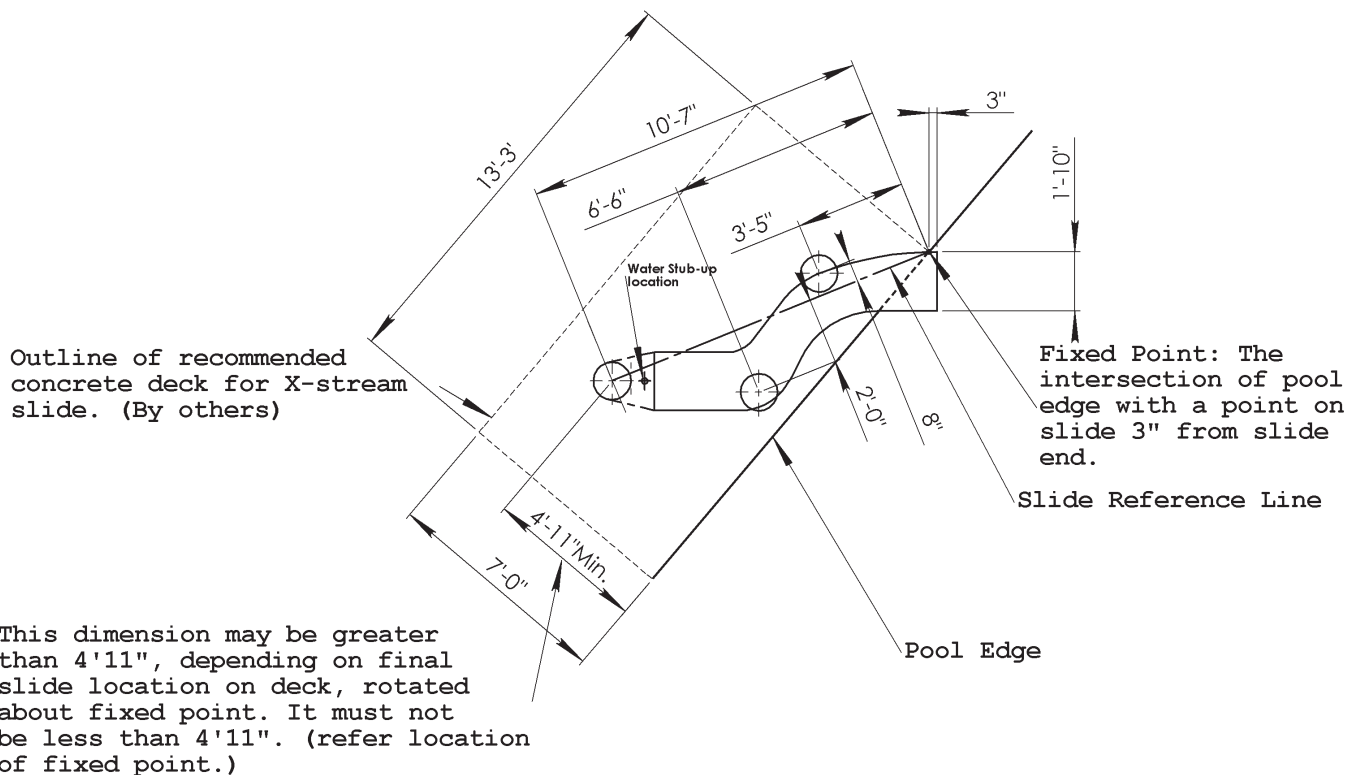
DESCRIPTION	PART NUMBER
X-Stream Slide - right/left - gray	Part #XS-GR

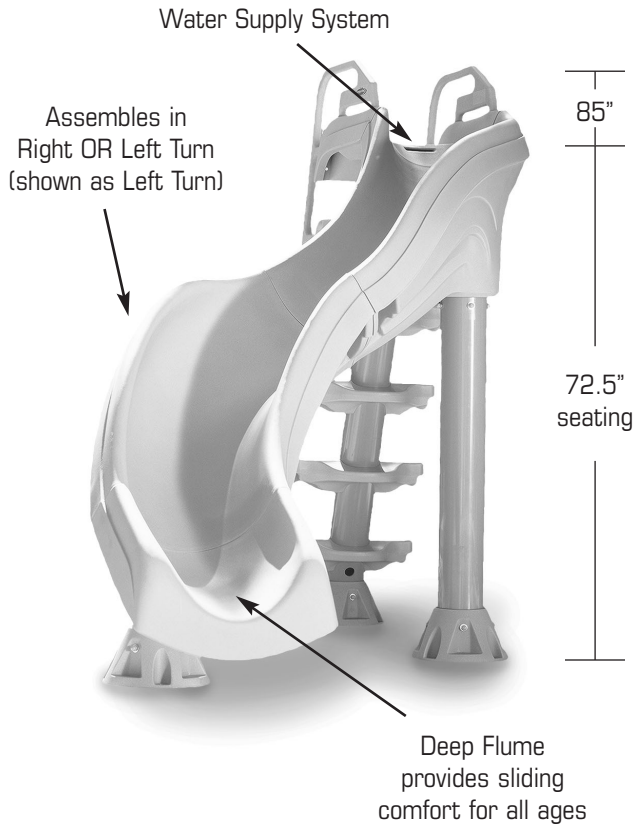
comes w/ss hardware

**NOTES:**

1. Ref. Means for reference use only.
2. All dimensions subject to change without prior notice.

**X-Stream Footprint for RIGHT Turn Slide**





**FEATURES:**

- Rotational Molded - Polyethalene Construction on Flume, Steps, Rails & Leg Supports (PVC Legs)
- Available in Summit Gray Only
- Assembles in **Right OR Left Turn**
- 72.5" High at Seating Area
- Fantastic Water Supply System
- Stainless Steel Hardware
- Fully Molded Treads Provide Safe Access to Slide Flume
- Weight Limit = 250 Lbs.
- Full Exploded View - pg. F22 - F23

**X-STREAM™ SLIDE**

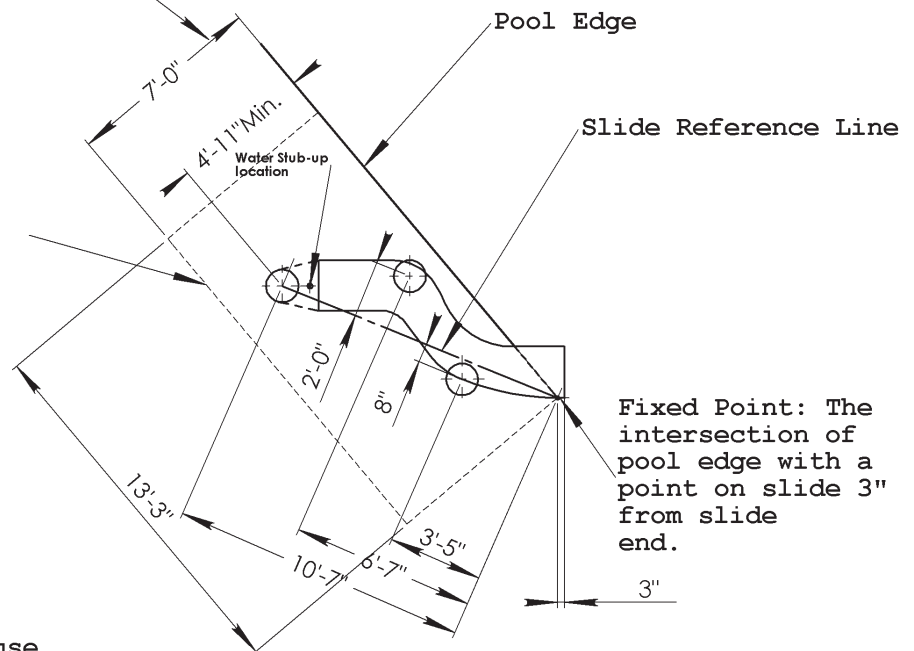
DESCRIPTION	PART NUMBER
X-Stream Slide - right/left - gray	Part #XS-GR

comes w/ss hardware

This dimension may be greater than 4'11", depending on final slide location on deck, rotated about fixed point. It must not be less than 4'11". (refer location of fixed point.)

**X-Stream Footprint for LEFT Turn Slide**

Outline of recommended concrete deck for X-stream slide. (By others)



**NOTES:**

1. Ref. Means for reference use only.
2. All dimensions subject to change without prior notice.