

# OASIS #5445










www.lumi-o.com

5445-an-05avr05

## INSTALLATION:

Please choose one of the following installation according to your handrails and pool type.

Handrails box content:		Additional Material	
18x	10x 10x	PVC handrails	Stainless steel handrails
4x	4x	- 4 x screws $\frac{3}{4}$ "	- 2 x Flanges 
		- 2 x short support tubes	- 2 x bolts 3"
		- 2 x long support tubes	- 2 x nuts
		- 2 x ramps	
Screw $\frac{3}{4}$ "	Bolt 3"		
Bolt 3 $\frac{1}{2}$ "	2x Braces		

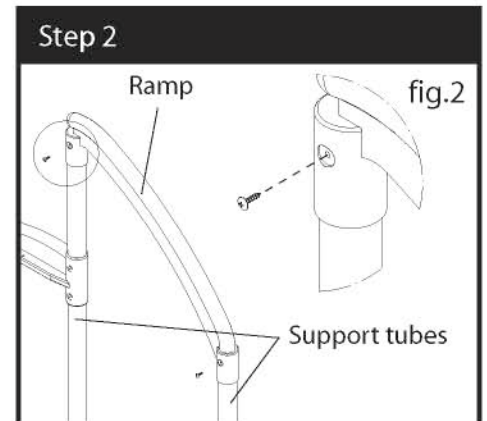
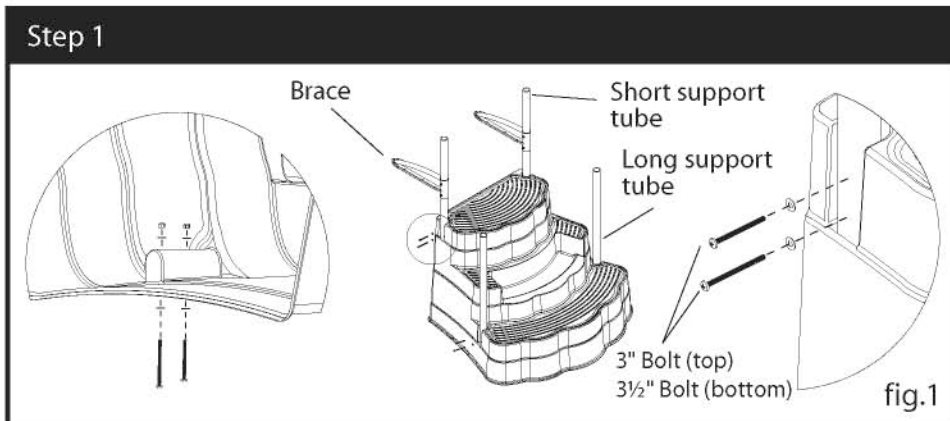
## Not included:

- Sand  
Note: you may need approximately 100 lbs of sand
- Concrete screws

## Helpful hint:

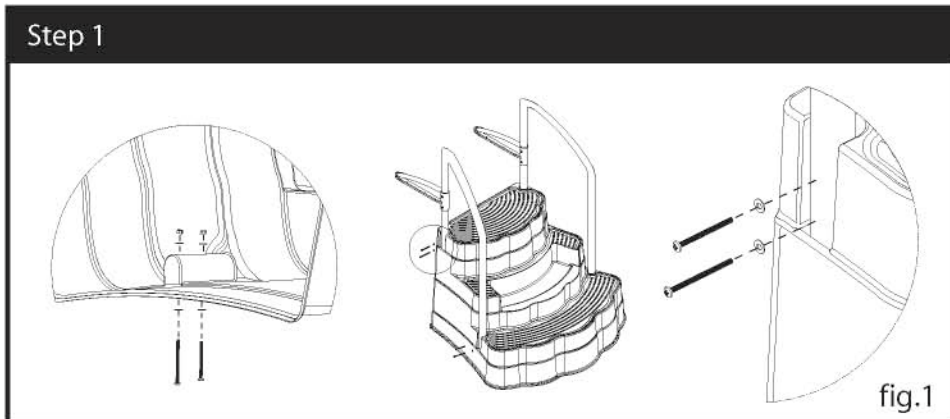
To ease the installation of the rails and bolts, use a screwdriver to line up holes.

## PVC HANDRAILS INSTALLATION :



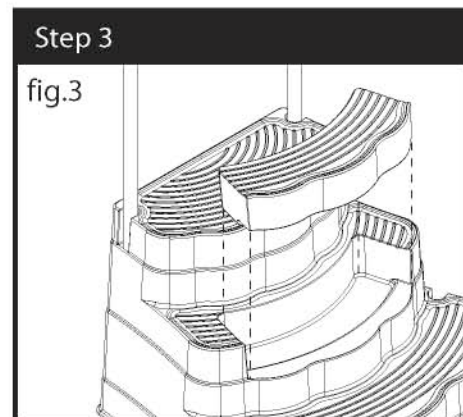
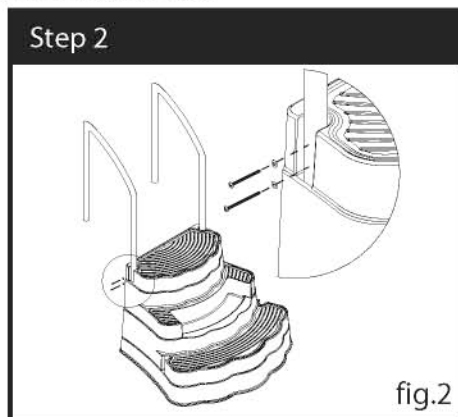
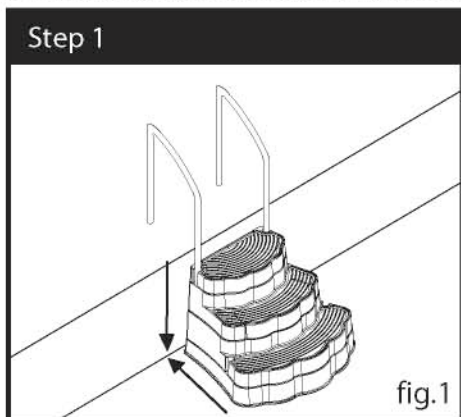
- 1- Lay the step on the side and fix the support tubes on the step with the 3" bolt for the upper holes (4), the 3 $\frac{1}{2}$ " for the lower holes (4), the nuts (8) and the washers (16). Slide the braces in the top of the shorter support tubes. (fig.1)
- 2- Fix the ramps on the support tubes with the  $\frac{3}{4}$ " screws (4). (fig.2)
- 3- Fill the ballast unit with sand and seal with the plastic cap.
- 4- Move the step into the water and allow the air to escape. Place the step by the pool wall leaving at least 1" between the step and the wall. Put the ballast unit at the appropriate place on the step. (annexe a) Ensure that the step touches the ground solidly. Lower the braces until its rests on the sidewalk. (annexe b)
- 5- Fix the braces on the sidewalk with concrete screws (not included). (annexe c)

## STAINLESS STEEL OR ALUMINIUM HANDRAILS INSTALLATION WITH BRACES:

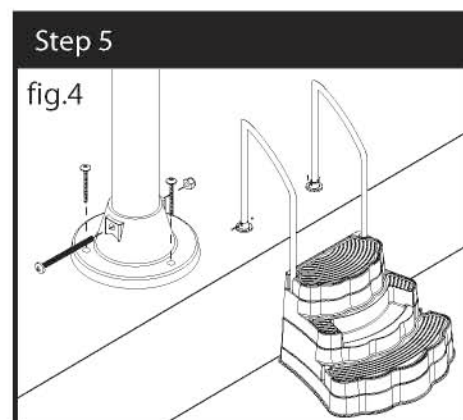


- 1- Slide the braces in the top of the handrails. Lay the step on the side and fix both handrails on the step with the 3" bolt for the upper holes (4), the 3 $\frac{1}{2}$ " for the lower holes (4), the nuts (8) and the washers (16). (fig.1)
- 2- Fill the ballast unit with sand and seal with the plastic cap.
- 3- Move the step into the water and allow the air to escape. Place the step by the pool wall leaving at least 1" between the step and the wall. Put the ballast unit at the appropriate place on the step. (annexe a) Ensure that the step touches the ground solidly. Lower the braces until its rests on the sidewalk. (annexe b)
- 4- Fix the braces on the sidewalk with concrete screws (not included). (annexe c)

## STAINLESS STEEL INSTALLATION WITH FLANGES:



- 1- Fill the ballast unit with sand and seal with the plastic cap. (annexe a)
- 2- Move the step into the water and allow the air to escape . Put the ballast unit at the appropriate place on the step. Place the step by the pool wall leaving at least 1" between the step and the wall. Ensure that the step touches the ground solidly.
- 3- Mark the holes location. (fig.2)
- 4- Take the ballast and the step out of the water. Fix both handrails, using the back holes of the step, with the 3" bolts for the upper holes (4), 3 1/2" for the lower holes (4), nuts (8) and washers (16). (fig.2)
- 5- Put the step back in the water following the procedures from step 2 (fig.3)
- 6- Anchor the flanges into the sidewalk with concrete screws (not included) (fig.4)
- 7- Screw the handrails to the flanges with the 3" bolts (2) and nuts (2). (fig.4)



## Remember:

Nothing replaces parental supervision-Watch children at all time.

## Step maintenance:

- 1- When adding water in your pool, insert the nozzle of your hose in the side holes of the step to allow a good water circulation throughout the season.
- 2- When treating your water do not forget to treat the water inside your step.

## Caution

- Locate the step and ladder on a solid base
- Do not jumps or dive from the step or ladder
- The step should be removed from the water when temperature drop below freezing.
- Never lift the step from its rails.
- Use battery-operated tools to avoid electric shock near water
- Ensure no corrosive materials are added to the step or ladder
- The step and ladder shall be installed per manufacturer's instructions
- File off all stripped or sharp edged of hardware to avoid injury
- The manufacturer is not responsible for damages or injuries caused by improper installation or use
- For special installation contact your dealer.



www.lumi-o.com

Lumi-O industries, Saint-Jérôme, Québec, Canada J7Y 4E5

5445-an-05avr05

