



VGB SERIES

SUBMERGED, MULTIPLE SUCTION OUTLETS, SINGLE AND UNBLOCKABLE OUTLET INSTRUCTIONS



IMPORTANT SAFETY INSTRUCTIONS FOR 8AVxxx, LP8xxx, 10AVxxx, 32CDFLxxx AND 32CAVxxx (xxx = COLOR SUFFIX)



READ AND FOLLOW ALL INSTRUCTIONS

MEETS OR EXCEEDS ASME/ANSI A112.19.8-2007

▲ WARNING!

IMPROPER INSTALLATION OR USE OF THIS PRODUCT MAY PRESENT A RISK OF HAIR OR BODY ENTRAPMENT AND DROWNING. Install this equipment in accordance with the instructions provided. Use only with the components and mounting hardware provided. FAILURE TO FOLLOW THESE INSTRUCTIONS AND/OR USE WITH COMPONENTS NOT PROVIDED BY AQUASTAR POOL PRODUCTS AND INTENDED TO BE USED WITH THIS PRODUCT MAY RESULT IN IMPROPER POSITIONING OR FUNCTIONING OF SUCTION OUTLET AND MAY CAUSE SEVERE PERSONAL INJURY OR DEATH.

SAVE THESE INSTRUCTIONS FOR FUTURE REFERENCE

- If not a single, unblockable outlet, in the event of one suction outlet being completely blocked, the remaining suction outlets serving the system shall have a flow rating capable of the full flow of the pump(s) or the specific suction system. If in doubt about the rating and/or head loss curve of your system, consult a qualified pool or spa professional and/or your respective equipment manufacturer(s). Also, double check with your local building/health authorities regarding single vs. multiple drain installations, etc.
- All sizes of connecting pipe are acceptable, pending velocity and GPM calculations. The larger, the better!
- Replace cover and screws within 5 years.

MAXIMUM RECOMMENDED SYSTEM FLOW RATE BY PIPE SIZE						
Pipe Size	1"	1¼"	1½"	2"	2½"	3"
Flow Rate in GPM	20	30	45	80	110	160

For multiple use only

MAX FLOW RATES (PER OUTLET) MOUNTING POSITIONS (xxx=COLOR SUFFIX)			
Model	8AVxxx (and RFS9xxx)	LP8AVxxx (and (R)LP8AVxxx)	10AVxxx (and RFS12xxx)
Floor	88 GPM @ 3.2 fps	100 GPM @ 4.2 fps	206 GPM @ 5.8 fps
Wall	70 GPM @ 2.6 fps	70 GPM @ 2.9 fps	70 GPM @ 2.8 fps

For single or multiple use

MAX FLOW RATES (PER OUTLET) MOUNTING POSITIONS (xxx=COLOR SUFFIX)		
Model	32CDFLxxx (and 32CDFLFRxxx)	32CAVxxx (and 32CAVFRxxx)
Floor	316 GPM @ 3.9 fps	236 GPM @ 3.4 fps
Wall	208 GPM @ 2.6 fps	136 GPM @ 1.9 fps

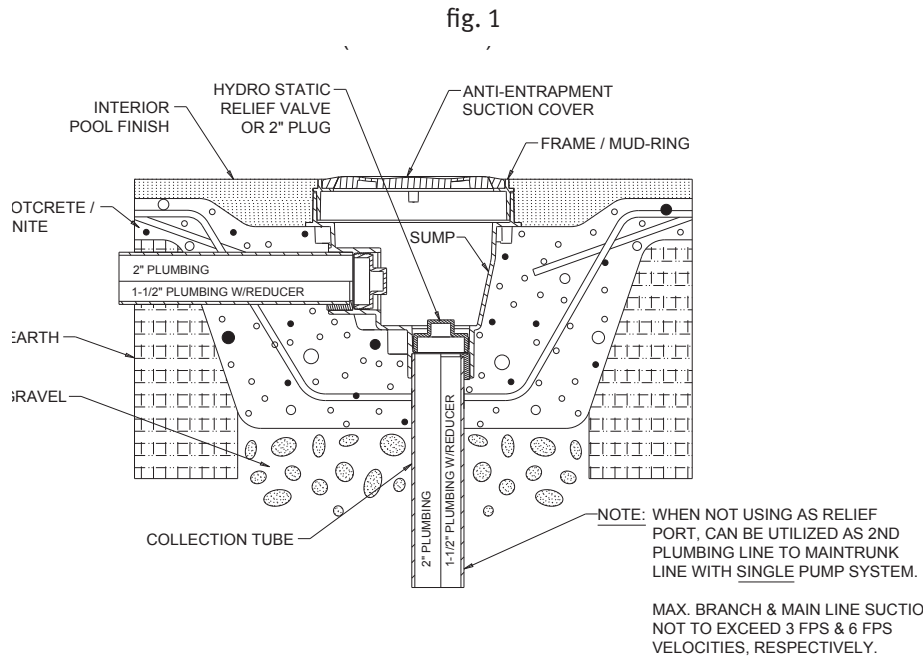
INSTALLATION LAYOUTS

- A. Requires Phillips screw driver
- B. See Fig. 1 for installation layout with manufactured sump
- C. See Fig. 2 for installation layout without sump (Field-fabricated sump)

MANUFACTURED SUMP INSTALLATION (DUAL PORT)

IMPORTANT

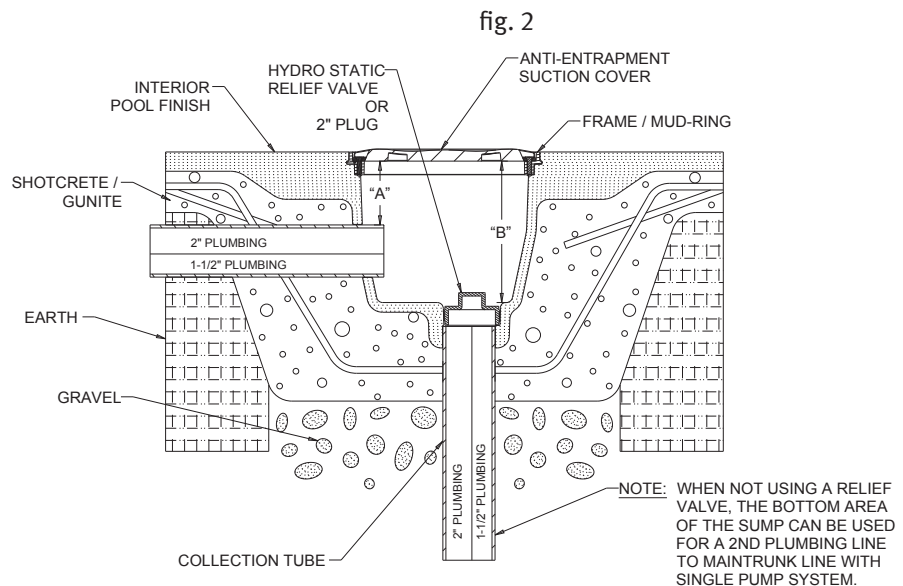
- Multiple drain use only.
- Models: 8SBxxx (SB = sump bucket), 8AVxxx or LP8AVxxx.
- NOTE: SB available in 3 styles:
 - Reg. collar (frame)
 - Adjustable collar (frame),
 - Vinyl/fiberglass



FIELD FABRICATED SUMP INSTALLATION (SINGLE OR DUAL PORT)

IMPORTANT

- At IAPMO (a nationally recognized testing lab), all Aquastar suction outlet covers have been tested with 3" deep sumps (unless otherwise indicated).
- "A" and/or "B" should be a min. 3" to bottom of cover.
- Multiple drain use only.
- Models: 8AVxxx, LP8AVxxx, 10AVxxx.



For additional information on proper drain installation refer to The Association of Pool & Spa Professionals ANSI/APSP-7 Standard and the US Consumer Product Safety Commission Guidelines for Entrapment Hazard.

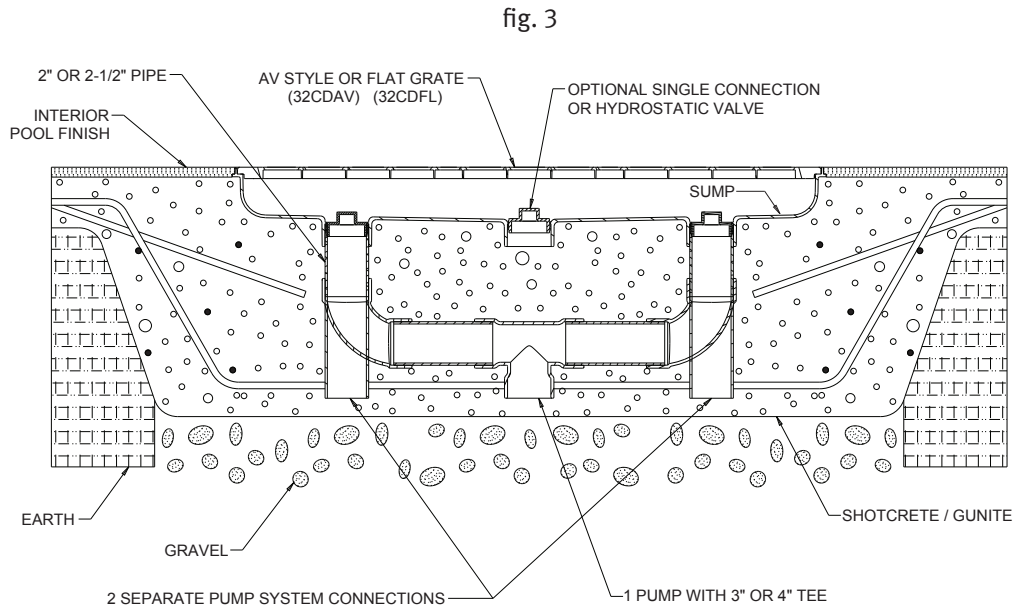
INSTALLATION LAYOUTS

- A. See Fig. 3 for installation layout with manufactured sump
- B. See Fig. 4 for installation layout without sump (Field-fabricated sump)
- C. Requires Phillips screw driver

MANUFACTURED SUMP INSTALLATION (ONE, TWO, OR THREE PORTS)

IMPORTANT

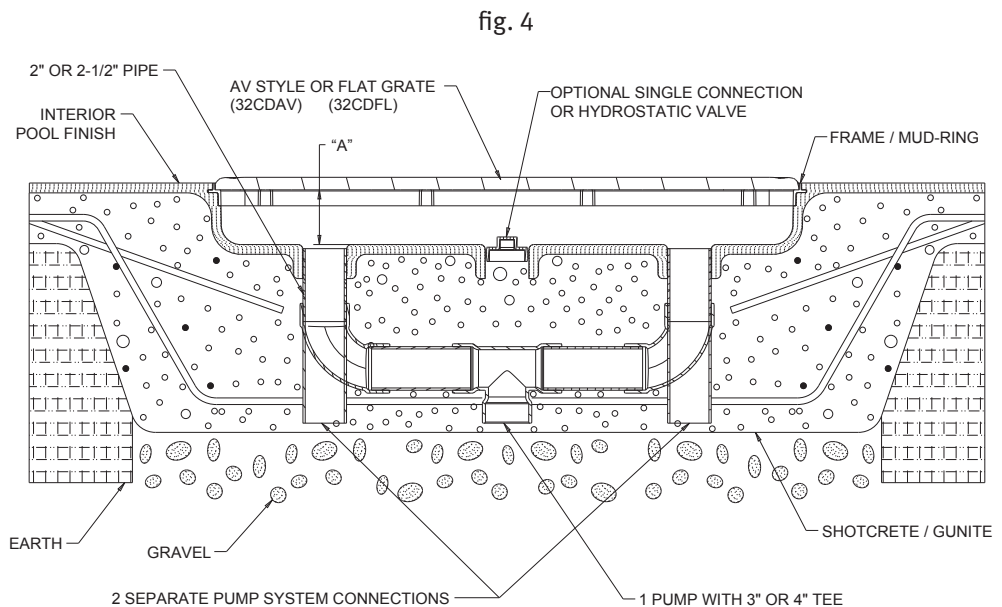
- Single or multiple drain use.
- Models: 32CDFLxxx, 32CDAVxxx



FIELD FABRICATED SUMP INSTALLATION (ONE, TWO, OR THREE PORTS)

IMPORTANT

- At IAPMO (a nationally recognized testing lab), all Aquastar suction outlet covers have been tested with 3" deep sumps (unless otherwise indicated).
- "A" should be a min. 3" to bottom of cover.
- Single or multiple drain use.
- Models: 32CDFLFRxxx, 32CDAVFRxxx.



For additional information on proper drain installation refer to The Association of Pool & Spa Professionals ANSI/APSP-7 Standard and the US Consumer Product Safety Commission Guidelines for Entrapment Hazard.

▲ WARNING! SUCTION ENTRAPMENT HAZARD

INCREASING PUMP SIZE WILL INCREASE FLOW. When in doubt, consult your pool and spa professional. NEVER use a pool or spa that has a missing or broken suction outlet cover. USING A POOL OR SPA WITH A MISSING OR BROKEN SUCTION OUTLET COVER CAN RESULT IN HAIR OR BODY ENTRAPMENT WHICH CAN CAUSE SEVERE BODILY INJURY OR DEATH. THE VACUUM IN SUCTION OUTLETS AND/OR SUCTION OUTLET COVERS WHICH ARE DAMAGED, BROKEN, CRACKED, MISSING OR UNSECURED CAN CAUSE SEVERE INJURY AND/OR DEATH DUE TO THE FOLLOWING ENTRAPMENT HAZARDS: HAIR ENTRAPMENT – Hair can become entangled in suction outlet cover. LIMB ENTRAPMENT – A limb inserted into an opening of a suction outlet sump or suction outlet cover that is damaged, broken, cracked, missing or not securely attached can result in a mechanical bind or swelling of the limb. BODY SUCTION ENTRAPMENT – A negative pressure applied to a large portion of the body or limbs can result in an entrapment. EVISCERATION/DISEMBOWELMENT ENTRAPMENT – A negative pressure applied directly to the intestines through an unprotected suction outlet sump or suction outlet cover which is damaged, broken, cracked, missing, or unsecured can result in evisceration/disembowelment entrapment. MECHANICAL ENTRAPMENT – There is a potential for jewelry, swimsuit, hair decorations, finger, toe or knuckle to be caught in an opening of a suction outlet cover resulting in mechanical entrapment.

▲ WARNING! TO REDUCE THE RISK OF ENTRAPMENT HAZARD

If not an approved single, unblockable outlet, a minimum of two functioning suction outlets per pump must be installed. Suction outlets in the same plan (i.e. floor or wall) must be installed a minimum of three feet (3') (1 meter) apart, as measured from near point to near point. Dual suction fittings shall not be located on seating areas or on the backrest for such seating areas. If any suction outlets are located closer they shall be located on two different planes (i.e. one on the bottom and one on the vertical wall, or one each on two separate vertical walls). The maximum system flow rate shall not exceed the flow rating of any listed (per ASME/ANSI A112.19.8-2007) suction outlet cover installed. Never use pool or spa if any suction outlet component is damaged, broken, cracked, missing or not securely attached. Replace damaged, broken, cracked, missing or not securely attached suction outlet components immediately. In addition to two or more suction outlets per pump installed in accordance with latest APSP, IAF Standards and CPSC guidelines, follow all national, state and local codes applicable.

WARNING! – Failure to remove pressure test plugs and/or plugs used in winterization of the pool/spa from the suction outlets can result in an increased potential for suction entrapment as described above.

WARNING! – Failure to keep suction outlet components clear of debris, such as leaves, dirt, hair, paper and other material can result in an increased potential for suction entrapment as described above.

WARNING! – Suction outlet components have a finite life, the cover/grate should be inspected before each use of facility and replaced at least every five (5) years or if found to be damaged, broken, cracked, missing, not securely attached or missing screws. **DO NOT** use facility until corrected!

A Safe Drain is No Accident™

